

KERMANN LED

Exproof Easylight Z2

Ex II 3G Ex ec mc IIC T5 Gc



DATASHEET

Product information

The new Kermann Exproof Easylight Z2 exproof LED luminaire is an ideal choice to replace 2x18W, 2x36W and 2x58W fluorescent light fixtures in Zone 2 hazardous industrial areas. Our luminaire is an exceptional mixture of the highest technical quality and an excellent efficacy. With the lumen packages between 2800 – 6500 lm, and the luminaire efficacy up to 136 lm/W the personal needs can be easily fulfilled.

Applications

- Zone 2 hazardous industrial areas, for the general lighting, from small and medium mounting heights.

Housing

- Aluminium heatsink and steel housing
- Borosilicate glass lens
- 1 COB LED light source
- IP67 rating for the whole luminaire

Finish

- Powder painted housing
- Standard colors: RAL9005/RAL1023

Other Option

- Emergency: none
- Controls: none

LED & Optical Assembly

- For the optimal solution to choose the proper optical system is possible only after the cognition of conditions of use and application
- 60° and 90° beam angle
- High end quality COB LED light source offering exceptional reliability
- 3000K; 4000; 5000; color temperature
- 80; 90 color rendering index

Mounting

- Universal mounting plate (the accessories need to be ordered separately)
 - screw on the ceiling
 - chain of wire suspended
 - on light column, with pipe clamp
 - on wall mounting

Environment and life

- Ambient temperature: -20°C - +45°C
- L70B50 50000hrs @40°C

Electrical

- Input: 220-240VAC / 50-60Hz
- System power factor: >0,95
- THD <20%

Order Logic

Product ID	Lumen (lm)	CCT / CRI	Optic	Control	Options1	Options1
KEZ2 IP67 G1	3000	3K - 3000K CRI80	L9 - 90° Clear L6 - 60° Clear	FX - Fix output	ST - Standard	PC-PreCabled
	4000	3K - 3000K CRI90				
	5200	4K - 4000K CRI80				
	6600	4K - 4000K CRI90				
		5K - 5000K CRI80				
	5K - 5000K CRI90					

4000 K 80 CRI

Nominal lumen (lm)	Rated lumen (lm)	Power (W)	Lumen / watt
3000	2925	22	133
4000	4014	32	125
5200	5243	43	122
6600	6554	55	119

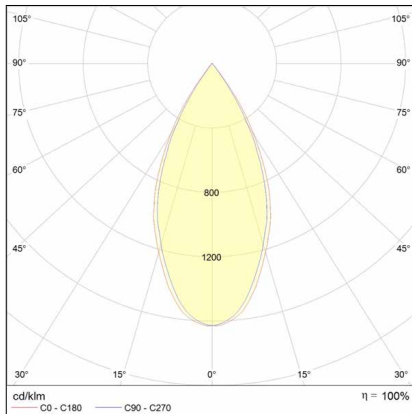
CCT/CRI multipliers

3K80	96%
3K90	82%
4K80	100%
4K90	86%
5K80	103%
5K90	88%

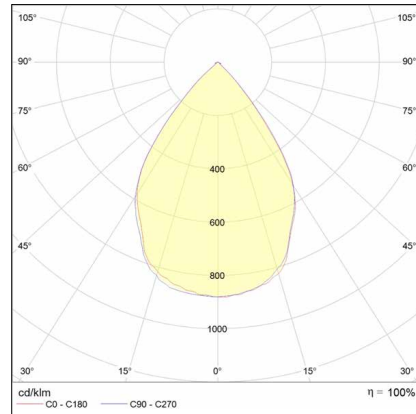
Optical multipliers

L6	100%
L9	102,7%

Photometric data



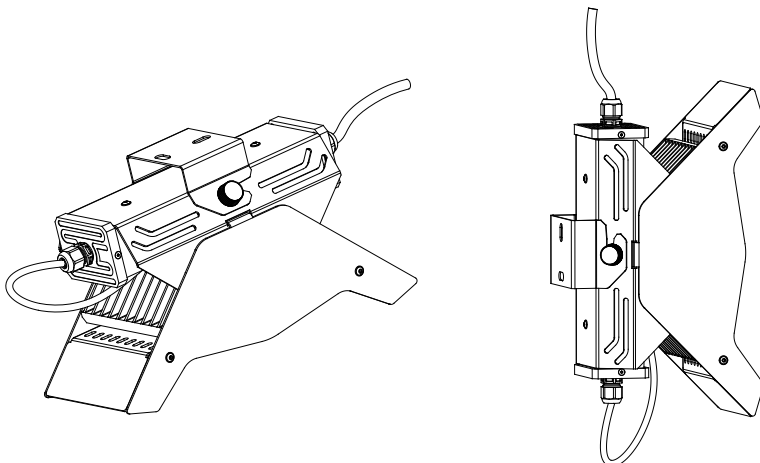
60°



90°

Mounting and accessories

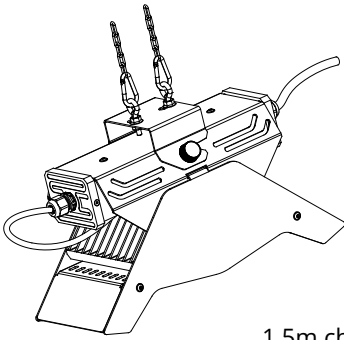
Universal mounting plate (standard desing): suitable for fix ceiling and wall mounting (screws are not included)



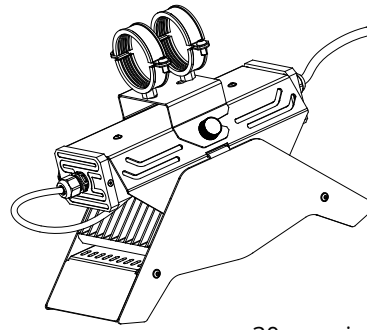
Universal mounting plate
P/C - TBA

Suspended with chain or wire (optional). Available chain and wire lengths: 1,5m; 3m; 4,5m

Mounting on light column, with pipe clamp (optional): available pipe diameters: 30mm – 90mm



1,5m chain -- P/C TBA
3m chain -- P/C TBA
4.5m chain -- P/C TBA



30mm pipe - P/C TBA
90mm pipe - P/C TBA

Dimensions (mm)

Net weight: 5.5kg

