

# LED PAR38 Dimmable Outdoor

140W replacement



DATA SHEET

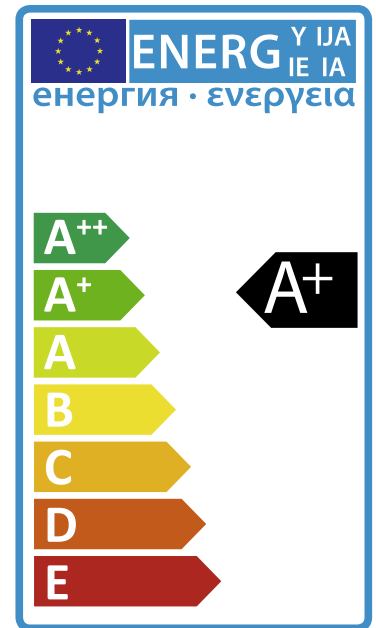
## Product information

Tungsräm's LED PAR range combines a high intensity spotlight beam with substantial energy savings. The improved 140W equivalent PAR38 design is now dimmable with 2400 candela and with 25k lifetime offers significant reduction to maintenance cost by sharply reducing replacement frequency.

## Features & Benefits

- Improved lens
- Dimmable
- A+ Energy Class
- 1500 total lumens
- 25,000 Life hours at L70
- Available in 3000K
- PAR38 lamps are suitable for wet location use (IP65)
- Warranty: 2 years with maximum 8000 burning hours according to Tungsräm Standard Warranty conditions

## Application areas



## Compliance

EN 55015	Limits and methods of measurement of radio disturbance characteristics of electrical lighting
EN 61547	Equipment for general lighting purposed EMC immunity requirements
EN 61000-3-2	Limits for harmonic current emissions (equipment rated current ≤16A)
EN 61000-3-3	Limitation of voltage fluctuations and flicker in low voltage supply systems (equipment rated current ≤16A)
EN 62560	Self-ballasted lamps for general lighting services by voltage > 50V - safety specification
EN 62493	Assessment of lighting equipment related to human exposure to electromagnetic fields

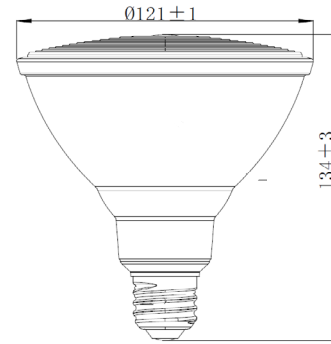
## Specification summary

Product code	Product Description	Nominal/ Rated Power (W)	Cap/ Base	Nominal/ Rated Beam Angle (°)	Nominal/ Rated Lumens (lm)	Rated Peak Intensity (cd)	Nominal/ Rated Life (L70/B50 hours)	CCT (K)	EEC
93111229	LED Esmart PAR38 15W(140) 830 E27 40° TU	15.0	E27	40	1200	2400	25 000	3000	A+

## Common attributes

- Colour Rendering Index: >80
- Input Voltage: 220-240V
- Warm up time: Instant on
- Power factor: 0.9
- Lumen maintenance at the end of life: 0.7
- Switching cycle: minimum 25000
- Colour consistency: <6 SDCM
- Energy Consumption: 15.0 kWh/1000 h

## Dimensions (mm)



## Recommended operation temperature

Tc max for L70/B50 - 60°C  
Thermal test point



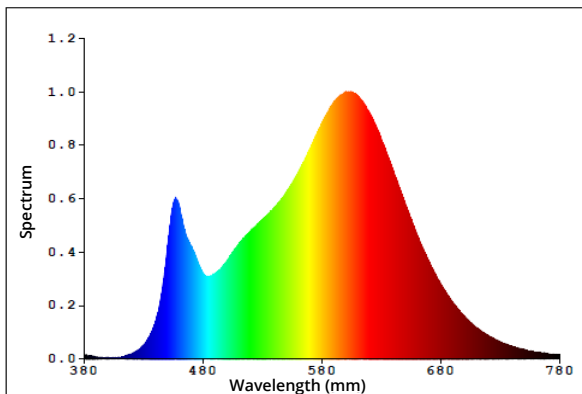
## Packaging image



## Operation and maintenance

- Store and use the lamps the same way as traditional halogen or incandescent lamps.
- Lamp and lamp holder should be kept free from contamination.
- Do not use if the bulb is broken.
- Ensure lamp is cool before removing.
- This LED PAR38 replacement is dimmable lamp
- LED Esmart™ PAR38 15W lamps are dimmable on most leading and trailing edge dimmers, for more information please check our website [www.tungsr.com/dimming-led](http://www.tungsr.com/dimming-led).

## Spectral distributions



All values 180-400nm are 0