

Biax Range UVC LAMP



DATA SHEET



Product information

The Tungsram ultraviolet lamps with rapid UV radiation, offers immediate treatment with no requirements for holding tanks or long retention/exposure times. Applications in medical disinfection and air clean, air purifiers and other home appliances, deodorization and bactericide aquarium UV sterilizers. Disinfecting the air and surface of goods in the hospitals, schools, restaurants and offices.

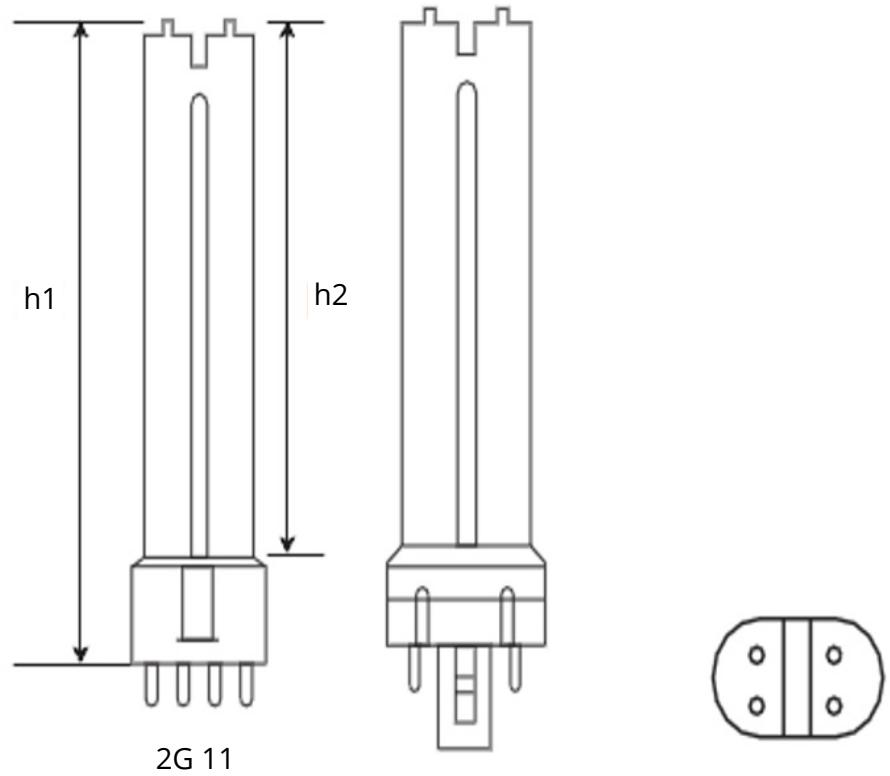
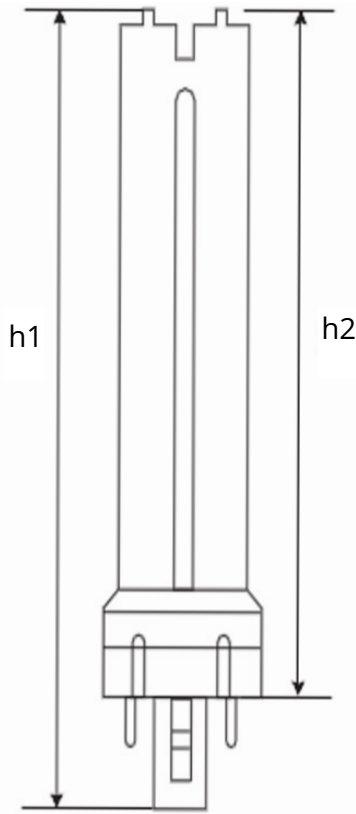
Specification summary

| Product Description | Product Code | Tube Material | Cap | Cap Material | Wattage (W) | Operating voltage [V] | Lamp Current (mA) | UV intensity (Distance =1M) |
|---------------------|--------------|---------------|------|--------------|-------------|-----------------------|-------------------|-----------------------------|
| UVC 5W G23 | 93118785 | quartz | G23 | ABS | 5W | 30-40V | 180mA | 14 |
| UVC 7W G23 | 93118796 | quartz | G23 | ABS | 7W | 42-52V | 175mA | 16 |
| UVC 9W G23 | 93118797 | quartz | G23 | ABS | 9W | 54-66V | 170mA | 23 |
| UVC 11W G23 | 93118798 | quartz | G23 | ABS | 11W | 81-99V | 155mA | 38 |
| UVC 13W GX23 110V | 93118799 | quartz | GX23 | ABS | 13W | 48-62V | 300mA | 40 |
| UVC 5W 4P 2G7 | 93118800 | quartz | 2G7 | ABS | 5W | 30-40V | 180mA | 14 |
| UVC 7W 4P 2G7 | 93118801 | quartz | 2G7 | ABS | 7W | 42-52V | 175mA | 16 |
| UVC 9W 4P 2G7 | 93118802 | quartz | 2G7 | ABS | 9W | 54-66V | 170mA | 23 |
| UV11W 4P 2G7 | 93118877 | quartz | 2G7 | ABS | 11W | 81-99V | 155mA | 38 |
| UV18W CFL TU | 93118450 | quartz | 2G11 | ABS | 18W | 52-64V | 375mA | 57 |
| UVC 24W 4P 2G11 | 93118803 | quartz | 2G11 | ABS | 24W | 77-97V | 345mA | 94 |
| UV36W CFL TU | 93118451 | quartz | 2G11 | ABS | 36W | 98-118V | 435mA | 147 |
| UVC 40W 4P 2G11 | 93118804 | quartz | 2G11 | ABS | 40W | 130-150V | 385mA | 155 |
| UVC 55W 4P 2G11 | 93118805 | quartz | 2G11 | ABS | 55W | 110-130V | 550mA | 170 |
| UVC 90W 4P 2G11 | 93118806 | quartz | 2G11 | ABS | 90W | 100-120V | 800mA | 300 |

Dimensions (mm)

UVC 5W G23

UV11W 4P 2G7



| Product Description | Product Code | Diameter (mm) | Base face Length (mm) | |
|---------------------|--------------|---------------|-----------------------|-----|
| | | | h1 / A | h2 |
| UVC 5W G23 | 93118785 | 12 | 107 | 85 |
| UVC 7W G23 | 93118796 | 12 | 137 | 115 |
| UVC 9W G23 | 93118797 | 12 | 167 | 145 |
| UVC 11W G23 | 93118798 | 12 | 237 | 215 |
| UVC 13W GX23 110V | 93118799 | 12 | 186 | 164 |
| UVC 5W 4P 2G7 | 93118800 | 12 | 107 | 85 |
| UVC 7W 4P 2G7 | 93118801 | 12 | 137 | 115 |
| UVC 9W 4P 2G7 | 93118802 | 12 | 167 | 145 |
| UV11W 4P 2G7 | 93118877 | 12 | 237 | 215 |
| UV18W CFL TU | 93118450 | 17 | 217 | 195 |
| UVC 24W 4P 2G11 | 93118803 | 17 | 317 | 295 |
| UV36W CFL TU | 93118451 | 17 | 411 | 379 |
| UVC 40W 4P 2G11 | 93118804 | 17 | 533 | 501 |
| UVC 55W 4P 2G11 | 93118805 | 17 | 533 | 501 |
| UVC 90W 4P 2G11 | 93118806 | 17 | 533 | 501 |