

LED Energy Smart™ GU10 High Lumen Dimmable

6W equivalent for 70W & 75W



DATA SHEET

Product information

This LED High Lumen range provides a high quality, dimmable replacement for 70W & 75W Halogen products. The range consist of two colour temperatures, both available in standard (35°) and wide (60°) beam angles.

Features & Benefits

- 50W equivalent
- Total Lumens: up to 600lm
- 25 000 hours solution (L70/B50)
- Two colour temperatures: 3000K, 4000K
- A+ & A++ Energy Class
- 35° & 60° Beam Angle
- Warranty: 2 years with maximum 8000 burning hours according to Tungsram Operations Kft. Standard Warranty conditions

Application areas



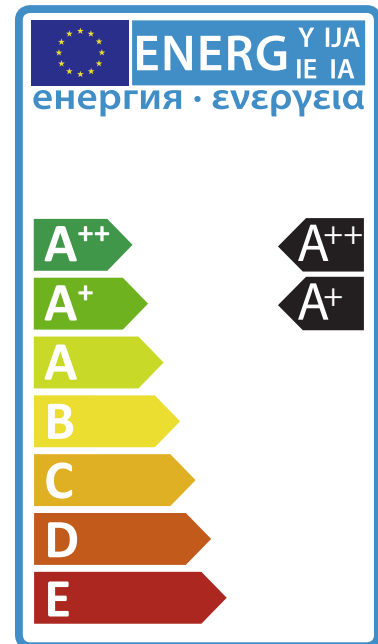
Home



Hospitality



Retail



IEC Standards

EN 55015:	Limits and methods of measurement of radio disturbance characteristics of electrical lighting
EN 61547:	Equipment for general lighting purposed EMC immunity requirements
EN 61000-3-2:	Limits for harmonic current emissions (equipment rated current ≤16A)
EN 61000-3-3:	Limitation of voltage fluctuations and flicker in low voltage supply systems (equipment rated current ≤16A)
EN 62560:	Self-ballasted LED lamp for general lighting services voltage 50~250V-safety specification
IEC 62471:	Photo biological safety of lamps and lamp systems
IEC/TR 62778:2014:	Assessment of blue light hazard to light sources and luminaries
EN 62493:2010:	Assessment of lighting equipment related to human exposure to electromagnetic fields

Specification summary

Product Code	Direct Shipment Product Code	Product Description	Nom./ Rated Power (W)	Repl Watt (W)	Nom./ Rated Beam Angle (°)	Nom./ Rated Lumens (lm)	Nom./ Rated Useful Lumens (lm)	Rated Peak Intensity (cd)	Nom./ Rated Life (L70/B50 hours)	CCT (K)	WEC (kwh/1000h)	Pack Qty	EEC
93095393	93095394	LED ESmart GU10 6W(70)Dim 830 35°	6,0	70	35	560	500	1000	25 000	3000	6,0	1/8	A+
93095395	93095396	LED ESmart GU10 6W(75)Dim 830 60°	6,0	70	60	560	500	550	25 000	3000	6,0	1/8	A+
93095397	93095398	LED ESmart GU10 6W(70)Dim 840 35°	6,0	75	35	600	540	1000	25 000	4000	6,0	1/8	A++
93095399	93095400	LED ESmart GU10 6W(75)Dim 840 60°	6,0	75	60	600	540	550	25 000	4000	6,0	1/8	A++

Common attributes

- Nominal/ Rated Life (L70/B50 hours): 25 000 Hrs
- Cap/Base: GU10
- Nominal/Rated Beam Angle : 35° & 60°
- Input Voltage 220-240V
- Colour Rendering Index >80
- Start-up/Warm-up time: <1 s
- Switching Cycles: 100 000
- Power factor: 0.8
- Lumen Maintenance Factor: 0.7
- A+, A++ Energy Efficiency
- Dimmable

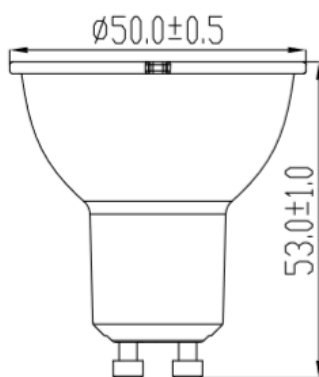
Recommended operation temperature

This max for L70/B50: 80°C

Tsh test point



Dimensions (mm)



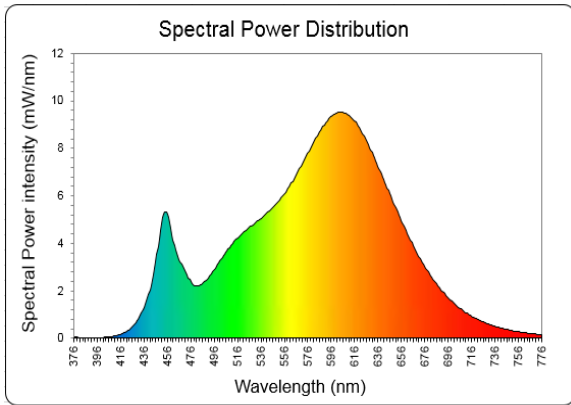
Packaging image



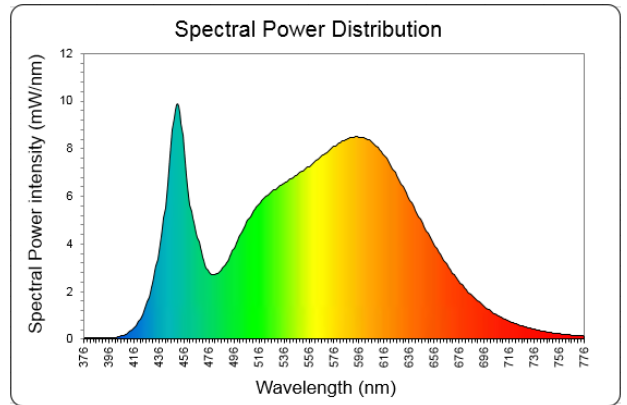
Operation and maintenance

- Store and use the lamps the same way as traditional lamps.
- Check your fixtures are properly wired and don't deliver voltage spike to lamps causing overheating/failure.
- Ambient temperature range -20° C to 40°C
- Lamps should be kept free from contamination.
- Good condition of the lamp-holder contacts is important to ensure proper operation of lamp.
- Ensure lamp is cool before removing.
- Switch off mains supply before installing/removing lamps.
- Not for use in totally enclosed recessed fixtures.
- These Energy Smart™ High Lumen Dimmable lamps are dimmable on most leading and trailing edge dimmers, for more information please check our website www.tungsram.com/dimming-led

Spectral distributions



3000K



4000K

All values 180-400nm are 0