



# Piko



## Product information

Introducing Tungsram's latest LED road and street fixture, the PIKO, which makes the advantages of outdoor LED lighting available for everyone, even those on tight budgets. Designed to replace 11-36 W CFL and 35-70 W HID fixtures, the PIKO is a great LED solution for minor roads, residential streets and other public spaces where modest levels of illumination are required.

## Application areas



Pedestrian street



Car park



Street & residential road lighting



Public area

## Driver features

- Electronic, non-dimmable driver

## Structures and materials

- Housing material: die-cast aluminium body, corrosion resistant screws
- Color: RAL7035
- Optical cover: tempered glass

## Electrical

Input voltage and frequency: 220-240V, 50Hz  
IEC Safety Classification: Class I  
Driver surge immunity: 6kV  
Rated input power: 12W to 28W

## Installation and maintenance

Mounting options:

- Side mount  $\varnothing$ 35mm-60mm
- Recommended mounting height: 4-8m
- Weight: 2 kg
- Only two hand-tools required for installing the fixture
- Storage temperature up to 85°C.
- Ambient temperature from -40°C to +35°C

## Optics

Available photometric distributions:

- C: optimized for low traffic M class roads
- E: optimized for narrow P class roads
- F: optimized for wide P class roads

Rated colour rendering index: >70

Rated correlated colour temperatures: 3000K, 4000K, 5000K

S/P rating for: 3000K - 1.33, 4000K - 1.56, 5000K - 1.78

ULOR: 0

Rated initial chromaticity co-ordinate values:

3000K - CIE(x=0.43, y=0.403) 5SDCM

4000K - CIE(x= 0.38, y= 0.38) 5SDCM

5000K - CIE(x= 0.34, y= 0.35) 5SDCM

## Performance

- Rated luminous flux range: from 1.500 to 3.600 lm
- Rated luminaire efficacy: Up to 140 lm/W
- Photometric code: 730/559, 740/559, 750/559
- Rated median useful life and the associated rated LM factor: L80B50 > 110.000 hours
- Rated median useful life and the associated rated LM factor: L80B10 > 105.000 hours
- Rated median useful life and the associated rated LM factor: L90B50 > 49.000 hours
- Rated abrupt failure value: 10% at 50.000 hours
- Lumen maintenance code: 9
- Rated ambient temperature (tq) related to performance for a luminaire: 25°C

Definitions and tolerances according to IEC62722-2-1:2014

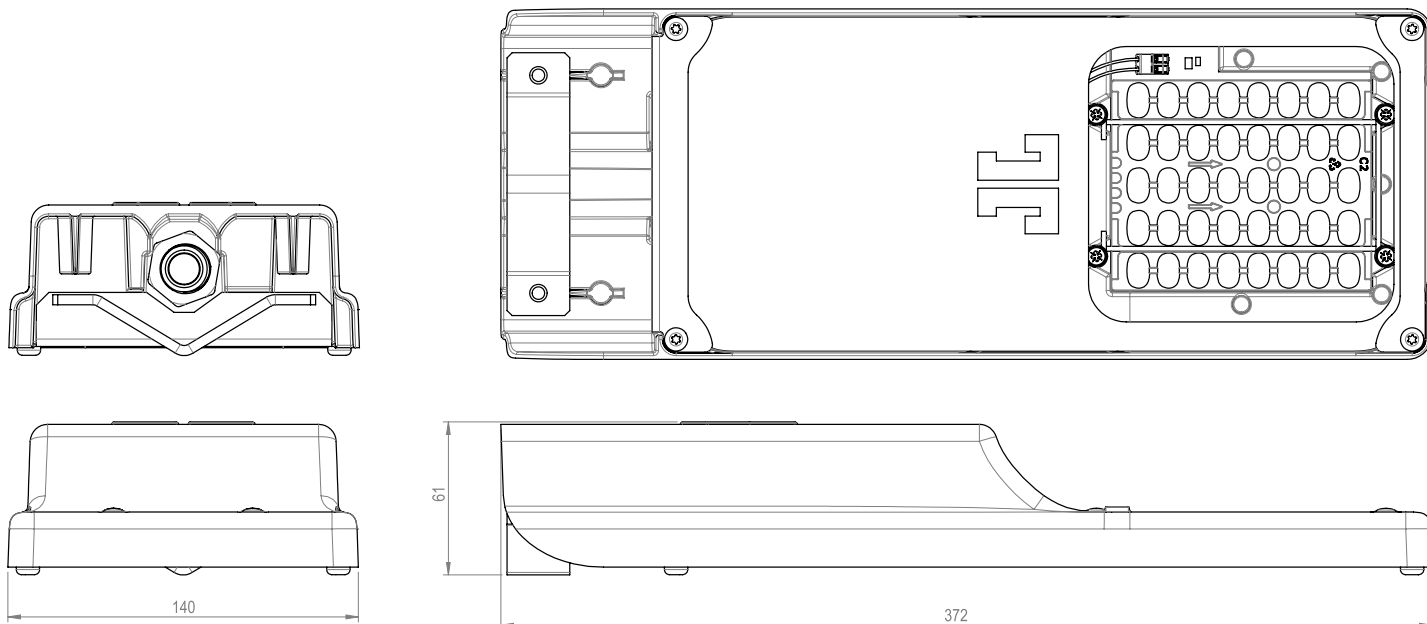
## Standards and regulation

CE, Directive 2014/30/EU, 2014/35/EU, 2009/125/EC, 1194/2012/EU, 2011/65/EC, EN 60598, EN 62471, EN 55015, EN 61000, EN 62493, EN 61547

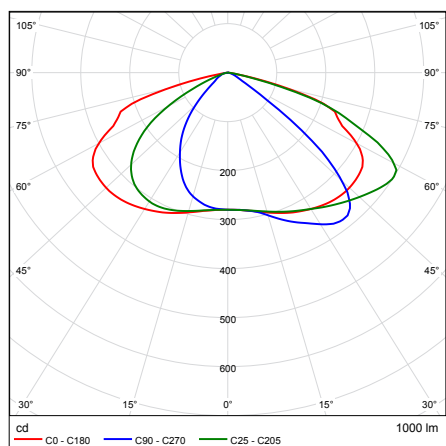
## Other options available

Precabling, fuse

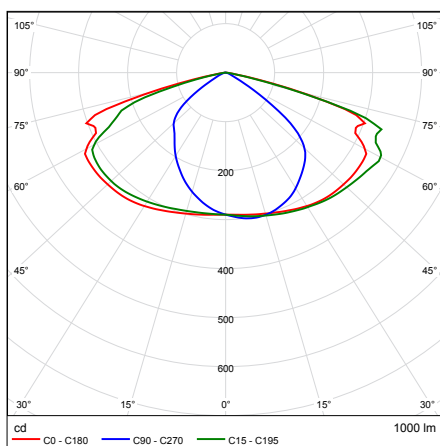
## Dimensions (mm)



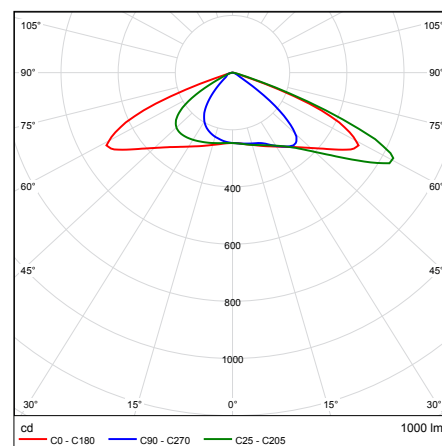
## Typical photometrical features



C



E



F

## Order logic

Name	Gen.	Optics	Power (W) *	CCT (K)	Control	Accessories	IEC Protection Classes	Precabling ***	Mounting	Color ****
<b>PIKO</b>	<b>1</b>	<b>C E F</b>	<b>12 18 21 28</b>	<b>3 - 3000K 4 - 4000K 5 - 5000K</b>	<b>N - No control</b>	<b>ST - Standard  F - Fuse</b>	<b>C1 - Class1</b>	<b>Px - Precabled with x meters **  PCx - Precabled with connector with x meters **</b>	<b>S35 - Coupler 35- 40mm  S60 - Coupler 40- 60mm</b>	<b>R7035  Rxxxx **</b>

**Example:** : PIKO/1/C/21/4/N/ST/C1/P1/S60

Exceptions:

\* For rated power by specific SKU see IES files!

\*\* x is integer: 0-9

\*\*\* Minimum precabling length is 1m

\*\*\*\* Other RAL colors available on request

