

Navona



Product information

Navona is a LED solution to replace traditional fixtures in parks, pedestrian areas, city centers. Timeless design incorporates the aesthetic necessities with the optimal optical distribution, providing several lumen packages with symmetrical and asymmetrical distribution and a power range from 20 to 70 W to meet a wide range of lighting scenarios. Navona offers a major increase in both vertical and horizontal uniformity. Combined with the high chromatic reproduction contributed by LED technology (white light), this uniform quality facilitates face recognition and visual comfort. Its advanced optical design enables the light to be directed specifically where it is needed.

Application areas



Pedestrian



Parks



City centres
(road classifications: from S2 to S6)

Driver features

- Electronic, programmable & dimmable driver
- No control
- Dali
- Dynadim
- CLO

Performance

- Rated luminous flux range: 1720-7640 lm
- Rated luminaire efficacy: Up to 118 lm/W
- Rated median useful life and the associated rated LM factor L80B50: > 200.000 hours
- Rated median useful life and the associated rated LM factor: L80B10 > 195.000 hours
- Rated abrupt failure value: 13.2 %*
- Photometric code: 727/559 , 730/559, 740/559
- Lumen maintenance code: 8
- Rated ambient temperature (tq) related to performance for a luminaire: 25°C

*Definitions and tolerances according to IEC62722-2-1:2014

Electrical

Input voltage and frequency: 220-240V, 50-60Hz
IEC Protection Class: Class I, Class II
Surge protection: 10 kV standard
Rated input power: 20 to 70 W

Installation and maintenance

Mounting options:

- 1- and 2-arm through 42-48, 54-60, 70-76 mm standard post top mounting. Side mounting through 54-60 mm diameter pole.
- Weight: 11,2 kg
- Recommended mounting height: 4-6 m
- Ambient operating temperature: -40°C to +50°C
- Storage temperature: up to 85°C

Optics

Available photometric distributions:

- Asymmetric Forward Clear (AFC)
- Asymmetric Wide Clear (AWC)
- Asymmetric Narrow Clear (ANC)
- Asymmetric Wide Diffuser (AWD)
- Symmetric Wide Clear (SWC)
- Symmetric Wide Diffuser (SWD)
- Symmetric Forward Clear (SFC)

Rated colour rendering index >70

Rated correlated colour temperatures*: 2700K, 3000K, 4000K
ULOR: 0

Rated initial chromaticity co-ordinate values:

- CIE(x=0.4578, y=0.4101) 5SDCM
- CIE(x=0.43, y=0.403) 5SDCM
- CIE(x=0.38, y=0.38) 5SDCM

Structures and materials

- Housing material: in three pieces (upper-housing, lowerhousing and arm with coupler), all made from die-cast aluminium with a polyester powder paint finish and oven cured.
- Surface finish: polyester powder coat
- Colour: RAL9007
- Optical cover: flat tempered glass
- All materials used in this product are WEEE and ROHS compatible.

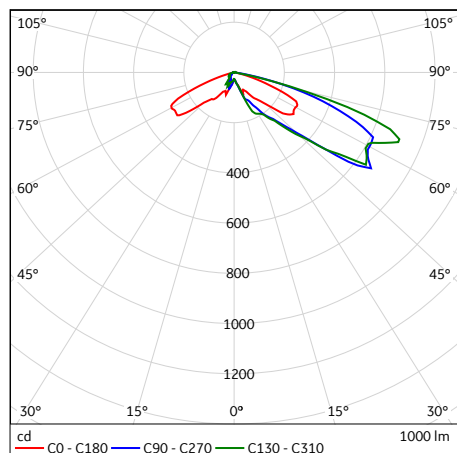
Standards and regulation

CE, Directive 2014/30/EC, 2014/35/EC, 2009/125/EC, 1194/2012/EU, 2011/65/EC, EN 60598, EN 62471, EN 55015, EN 61000, EN 62493, EN 61547.

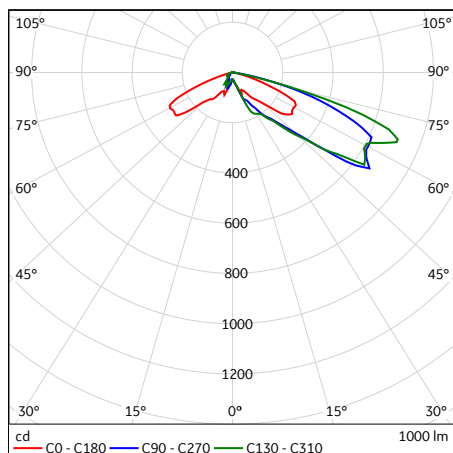
Other options available

Precabling, 7 pin NEMA socket.
Other RAL colours available on request.

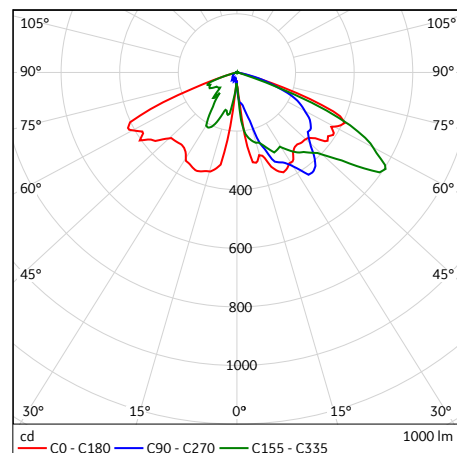
Typical photometrical features



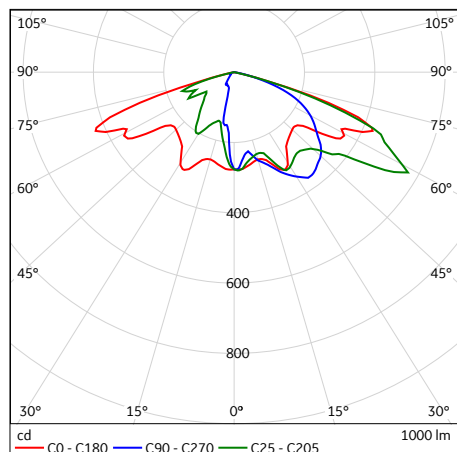
AFC FLAT 1ARM



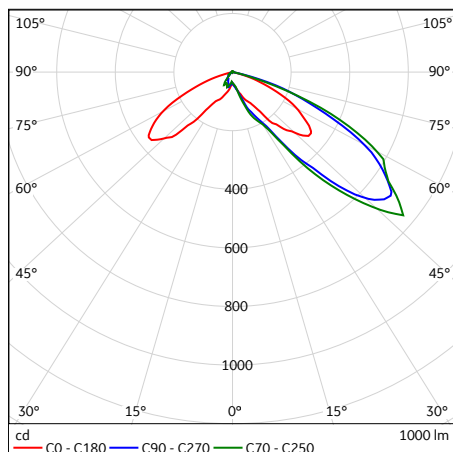
AFC FLAT SIDE ARM



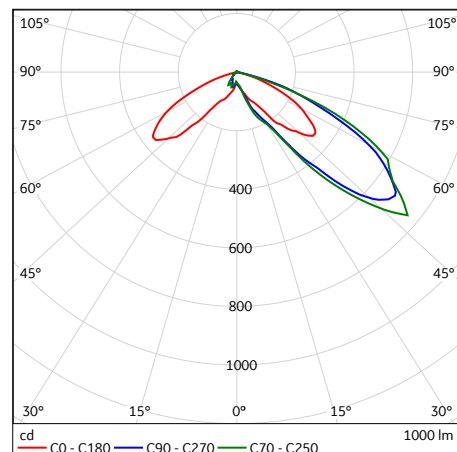
ANC FLAT 1ARM



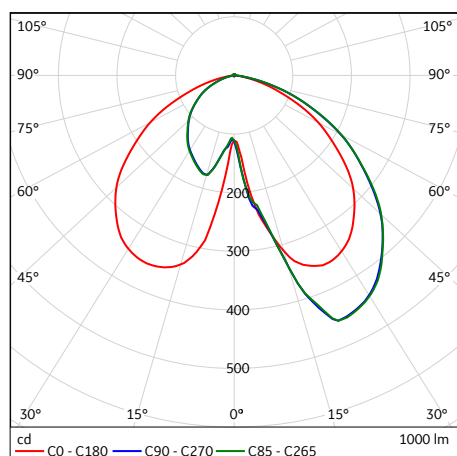
ANC FLAT SIDE ARM



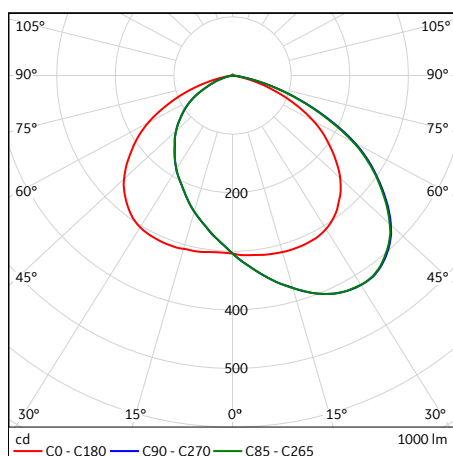
AWC FLAT 1ARM



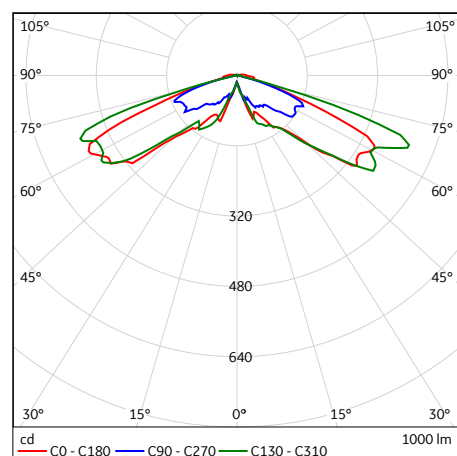
AWC FLAT SIDE ARM



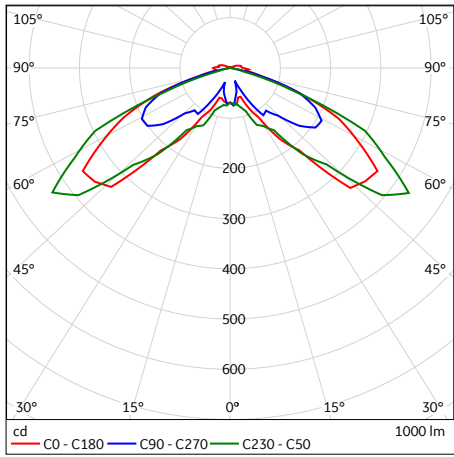
AWD FLAT 1ARM



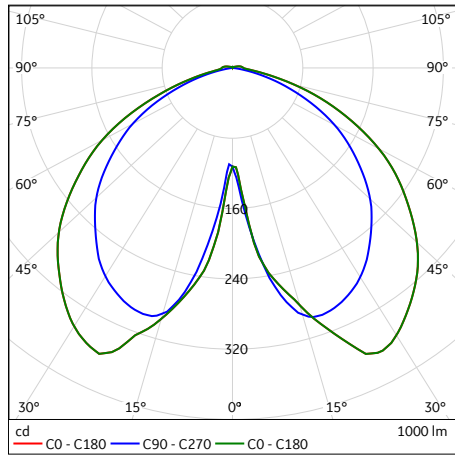
AWD FLAT SIDE ARM



SFC FLAT 2ARMS

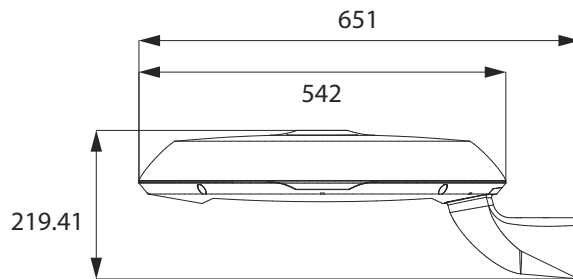
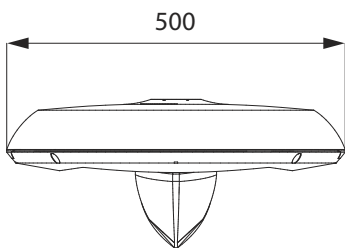
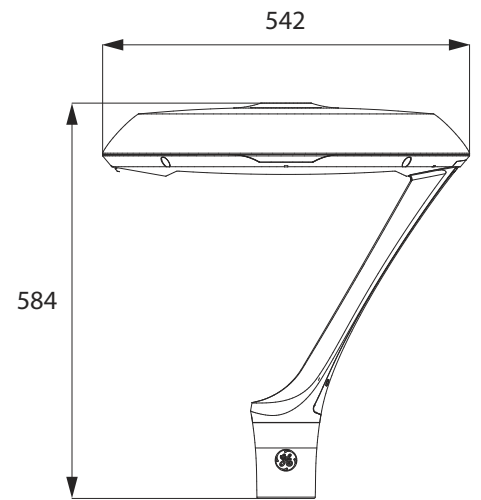
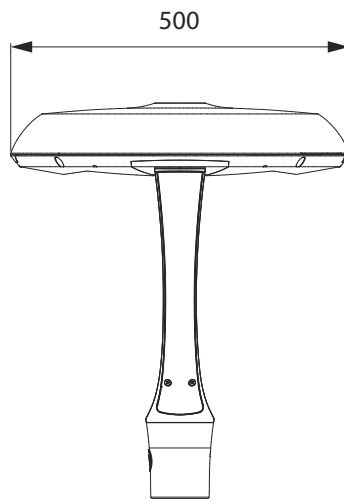
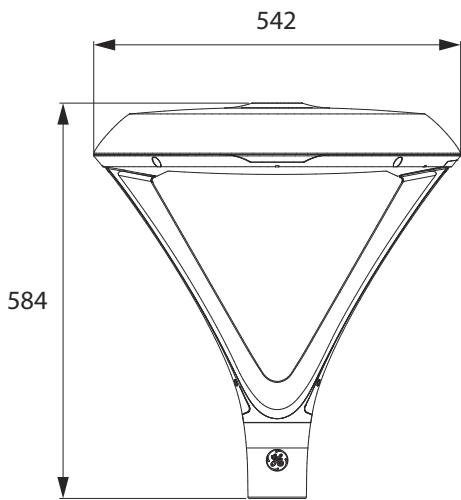


SWC FLAT 2ARMS



SWD FLAT 2ARMS

Dimensions (mm)



Order logic

Name	Gen.	Optics***	Power (W)	CCT (K)	Control	Accessories	IEC Protection Classes	Precabbling	Arm Type	Coupler	Color
NA	3	AFC	20**	27-2700	N - No control	ST - Standard type 10kv Surge immunity (built in driver) LS - 7 pin NEMA Socket*****	C1 - Class I C2 - Class II	N- No precabbling PX- Precabbling with XX meters*	1 - 1 arm 2 - 2 arms S - side*****	48 - 42- 48 mm 60 - 54-60mm 70- 70-76mm	R9007
		AWC	29**		D - Dali						
		ANC	30	Yxx - Dynadim*							
		AWD	40	30-3000	NLxx - No control + CLO*						
		SWC	50	40-4000	DLxx - Dali + CLO*						
		SWD	60		YLxx - Dynadim + CLO*						
		SFC	70								

Example: NA/3/AFC/20/30/D/ST/C1/N/1/60

* x is integer 0-9

** Available with asymmetric optics only

*** Asymmetric optics with 2 arm and Symmetric optics with 1-arm and side mount not available

**** Available with 60mm coupler only

***** Available with Class 1 protection class only

Standard color is RAL9007 , in case of other color have to sign the exactly RAL code number Rxxxx