

LED Precise Constant Color™ PAR30 11W Replacement for 75W



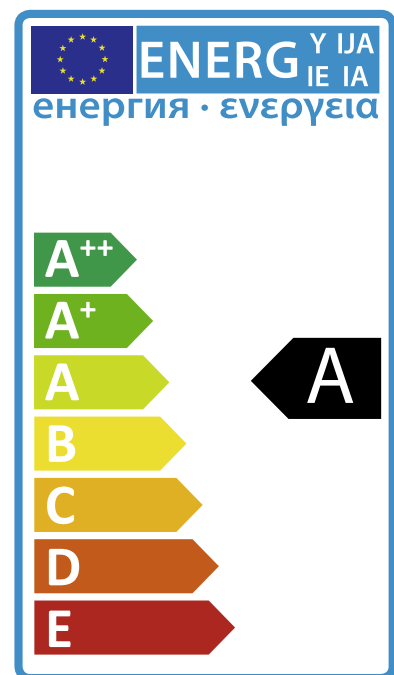
DATA SHEET

Product information

Tungsräm's new LED Precise Constant Color™ PAR range combines a high intensity spotlight beam with substantial energy savings with only 11W. Superior Colour Consistency within 4 steps on Macadam ellipse, 90Ra Colour Rendering Index for excellent light quality with a new COB design. Additionally, the 25,000 hours L70 life time offers significant reduction to maintenance costs by sharply reducing replacement frequency.

Features & benefits

- "A" Energy Class
- Up to 800 total lumens
- 90+ Colour Rendering Index
- 25,000 Life hours at L70
- Available in 3000 and 4000K
- Dimmable
- Retrofit
- Warranty: 2 years with maximum 8 000 burning hours according to Tungsräm Standard Warranty conditions
- *Based on 2.7 hours of per day use.



Application areas



Residential



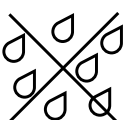
Hospitality



Retail

Compliance

- EN 55015 Limits and methods of measurement of radio disturbance characteristics of electrical lighting
- EN 61547 Equipment for general lighting purposed EMC immunity requirements
- EN 61000-3-2 Limits for harmonic current emissions (equipment rated current <=16A)
- EN 61000-3-3 Limitation of voltage fluctuations and flicker in low voltage supply systems (equipment rated current <=16A)
- EN 62560 Self-ballasted lamps for general lighting services by voltage > 50V - safety specification
- EN 62493 Assessment of lighting equipment related to human exposure to electromagnetic fields



Specification summary

Product Code	Product Description	Base	Rated Power (W)	Repl. Wattage (W)	CCT (K)	Total Lumens (lm)	DIM2 Lumens (lm)	CBCP	Dimm.	Beam Angle (°)	EEC	WEC (kwh/1000h)	Pack Qty
93104932	LED Precise PAR30 11W(75)D 930 35°E27 TU	E27	11.0	75	3000	700	630	1500	Yes	35	A	11.0	1/6
93104933	LED Precise PAR30 11W(75)D 940 35°E27 TU	E27	11.0	75	4000	800	630	1500	Yes	35	A	11.0	1/6

Common attributes

- Colour Rendering Index >90
- Input Voltage: 220-240V
- Warm up time: Instant on
- Switching Cycles: 13,000
- Power factor: >0.7

Recommended operation temperature

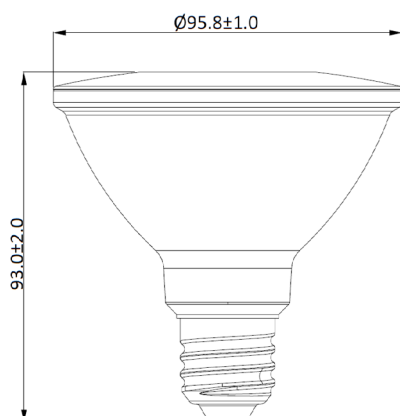
Thermal test point



Desired outputs

Ths Max for L70	60C
THs Max for B50	60C

Dimensions (mm)



Packaging image



Operation and maintenance

- Store and use the lamps the same way as traditional lamps.
- Check your fixtures are properly wired and don't deliver voltage spike to lamps causing overheating/failure.
- Ambient temperature range -20° C to 40°C
- Lamps should be kept free from contamination.
- Good condition of the lamp-holder contacts is important to ensure proper operation of lamp.
- Ensure lamp is cool before removing.
- Switch off mains supply before installing/removing lamp.
- Not for use in totally enclosed recessed fixtures.

TungramLED Precise Constant Colour™ PAR30 lamps are dimmable on most leading and trailing edge dimmers, for more information please check our website www.tungram.com/dimming-led.

