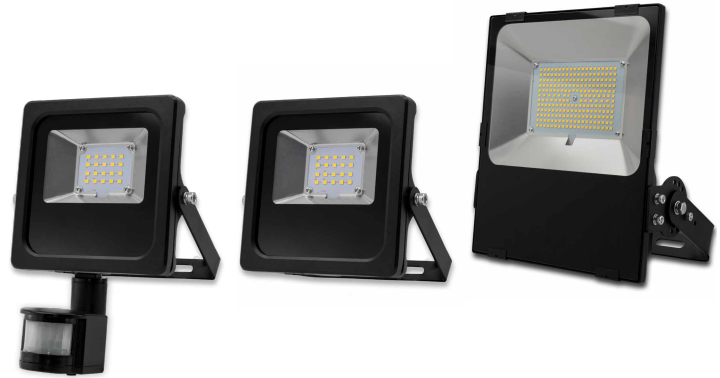


LED Floodlight



DATA SHEET



Product information

LED Floodlight is a universal, compact range of floodlights with six lumen output levels from 1.800 to 20.000lm and up to 130 LPW efficiency. The range is suitable for various applications wall mounted around building facades, ideal for the classic floodlighting of buildings as well as lighting gardens, paths near to buildings, garages, entrance ways and drives. Compared to traditional floodlights Tungstram LED Floodlight supplies immediate light without start-up or cooling down times. Thanks to a robust aluminium housing with safety glass cover, the floodlights are ideal for outdoor use.

Features

- High performance with outstanding efficiency with 6 lumen packages – up to 130 lm/W
- 50.000 hours L80B10 lifetime @ 25C
- 3 Color temperature: 3000K, 4000K and 6500K
- Color rendering (CRI) is ≥ 80
- Robust aluminium die-cast luminaire with high protection rating IP65 (20-50W) or IP66 (75-150W) and high impact resistance of IK07 (20-50W) or IK08 (75-150W)
- Suitable for operation in ambient temperature of -20°C to $+40^{\circ}\text{C}$ (20-50W) or -30°C to $+50^{\circ}\text{C}$ (75-150W)
- Static built-in driver
- PF $> 0,9$
- THD $< 20\%$
- Nominal Voltage: 220-240V and 100-277V Direct shipment version
- Operating frequency: 50-60Hz
- Insulation Class I
- Breather valve to maintain good ingress protection in case of over pressurization for 75-150W products
- IP65 infrared motion & daylight sensor optional for up to 50W products. Detection range of motion sensor (3M/180° or 12M/110°), detection range of daylight sensor (0-1000lux) and switching time can be modified.
- High quality Samsung chips
- Photobiological risk level is RG0 (no photobiological risk)
- SDCM ≤ 5

Benefits

- Replacement for floodlight luminaires with halogen lamps (up to 1500W)
- Energy savings up to 90% (compared to luminaires that use halogen)
- Homogenous light
- High resistance against ambient air with humidity and high particle loads

Structures and materials

- Body: housing made of die cast aluminium with tempered glass cover
- Colour: black
- Fixtures are pre-wired with 0.3 meter (20-50W) or 1 meter (75-150W) H05RN-F rubber cable
- Easy mounting with bracket included in the package (angle max 160°)

Application areas



Industrial



Car park,
Garages



Public areas



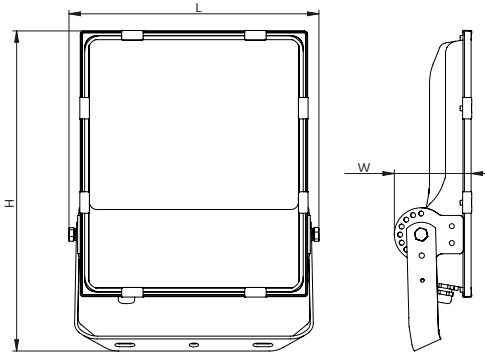
Building
facades



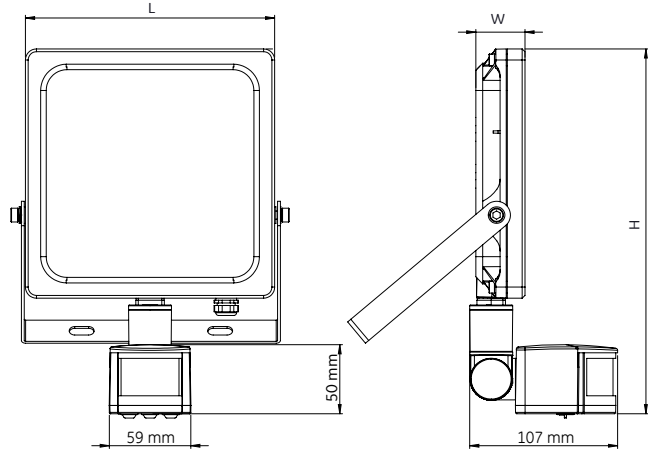
Construction
areas

Dimensions (mm)

Standard version



Motions sensor version

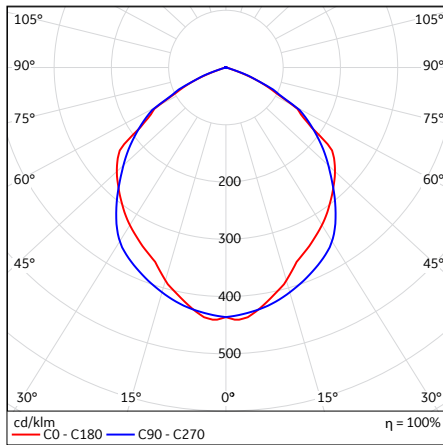


Type	L (mm)	W (mm)	H (mm)
LED Flood G1 TU S 20W...BN	163±1	35	163±1
LED Flood G1 TU S 30W...BN	203±1	35	202±1
LED Flood G1 TU S 50W...BN	223±1	35	216±1
LED Flood G1 TU S 75W...BN	286±1	91	368±1
LED Flood G1 TU S 115W...BN	337±1	91	419±1
LED Flood G1 TU S 150W...BN	373±1	91	450±1

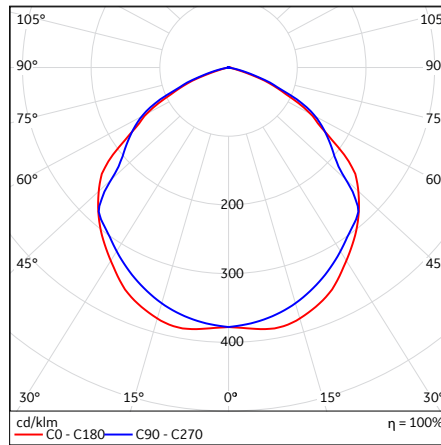
Type	L (mm)	W (mm)	H (mm)
LED Flood G1 TU S 20W...BM	224±1	35	163±1
LED Flood G1 TU S 30W...BM	264±1	35	202±1
LED Flood G1 TU S 50W...BM	284±1	35	216±1

Photometric data

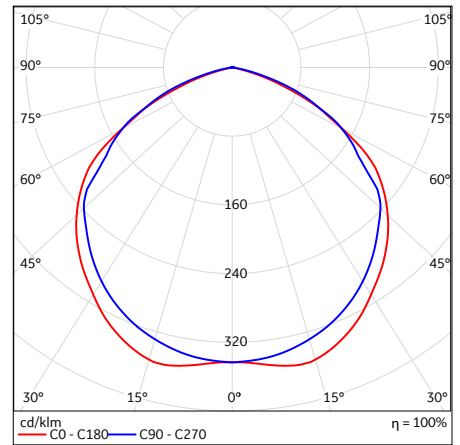
symmetric optic



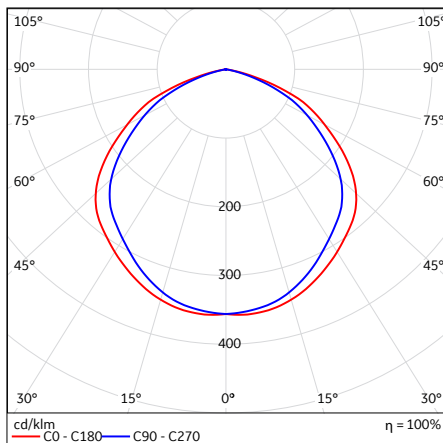
20W - 4000K



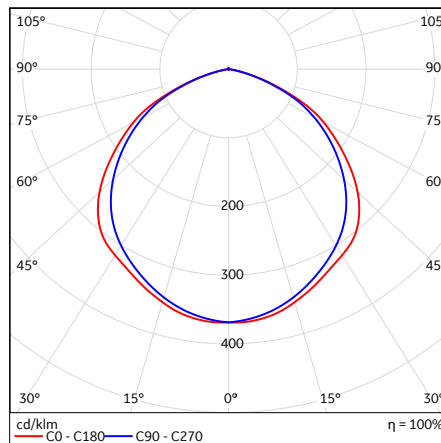
30W - 4000K



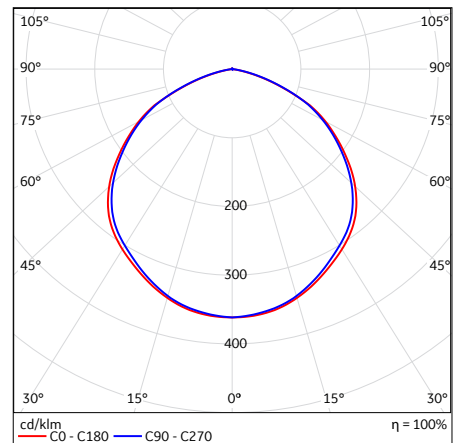
50W - 4000K



75W - 4000K

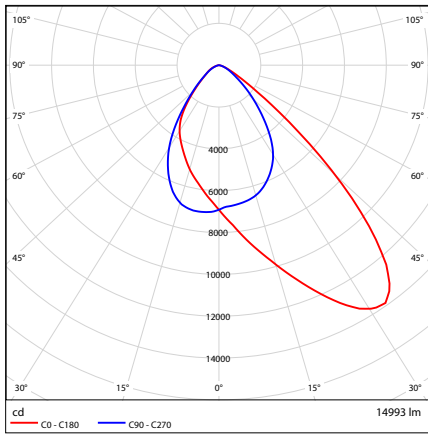


115W - 4000K

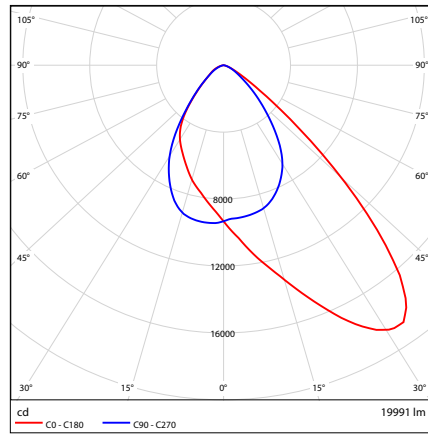


150W - 4000K

asymmetric optic



G1 - 115W - 4000K



G1 - 150W - 4000K

Regulatory and standards

Regulatory mark: CE

Regulations: 2014/35/EU, 2014/30/EU, 2011/65/EU, (framework 2009/125/EC) EU/1194/2012 amended by EU 2015/1428, (framework 2010/30/EC) 874/2012 and 518/2014*, 2012/19/EU*

Harmonised standards: EN 60598, EN 62493, EN 61547, EN55015, EN 61000, refer to CE Declaration of Conformity and Technical File for details

*not on DOC

Order logic

Internal Code	Gen.	Brand	Control	System	CRI	CCT	Reflector	Voltage	Housing color	Special	Shipment
LED Flood	G1 - Generation 1	TU - Tungsrsm	S - Static	20W 30W 50W 75W 115W 150W	8 - 80	30 - 3000K 40 - 4000K 65 - 6500K	SY - Symmetrical AS - Assymetrical	SA - 100-277V ST - 220-240V	B - Black	N - Standard version M - Sensor version	DS - Direct shipment

Example: LED Flood G1 TU S 50W 840 SY ST BN

Gen1 50W 4000K Floodlight, Static, 220-240V built-in driver, standard version with black housing and symmetrical optic