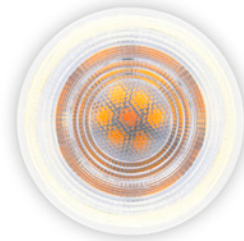


LED Energy Smart™ GU10 Warm Dimmer

5W equivalent for 50W
Halogen products



DATA SHEET

Product information

This new **GU10 Warm Dimming** product is more than just a replacement for 50W Halogen lamps. It allows you to set the mood by gradually dimming the light output along with the colour temperature. Offering a smooth dimmable solution from 2700K down to 2000K.

Features & Benefits

- 50W equivalent
- Total Lumens: 380lm
- 25 000 hours solution (L70/B50)
- Color temperature Warm Dimming from 2700K to 2000K
- A+ Energy Class
- 35° Beam Angle
- Warranty: 2 years with maximum 8000 burning hours according to Tungstram Operations Kft. Standard Warranty conditions

Application areas



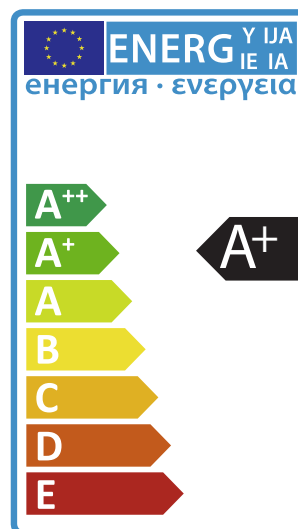
Home



Hospitality



Retail



IEC Standards

EN 55015:	Limits and methods of measurement of radio disturbance characteristics of electrical lighting
EN 61547:	Equipment for general lighting purposed EMC immunity requirements
EN 61000-3-2:	Limits for harmonic current emissions (equipment rated current <=16A)
EN 61000-3-3:	Limitation of voltage fluctuations and flicker in low voltage supply systems (equipment rated current <=16A)
EN 62560:	Self-ballasted LED lamp for general lighting services voltage 50~250V-safety specification
IEC 62471:	Photo biological safety of lamps and lamp systems
IEC/TR 62778:2014:	Assessment of blue light hazard to light sources and luminaries
EN 62493:2010:	Assessment of lighting equipment related to human exposure to electromagnetic fields

Specification summary

Tungstram Product Code	Tungstram Direct Shipment Product Code	Product Description	Nominal/ Rated Power (W)	Repl Watt (W)	Nominal/ Rated Beam Angle (°)	Nominal/ Rated Lumens (lm)	Nominal/ Rated Useful Lumens (lm)	Rated Peak Intensity (cd)	Nominal/ Rated Life (L70/B50 hours)	CCT (K)	WEC (kwh/1000h)	Pack Qty
93067834	93069943	LED WarmDim GU10 5W(50) 820-827 35°TU	5,0	50	35	380	350	700	25000	2000-2700	5,0	1/8

Common attributes

- Nominal/ Rated Life (L70/B50 hours): 25 000 Hrs
- Cap/Base: GU10
- Nominal/Rated Beam Angle : 35°
- Input Voltage 220-240V
- Colour Rendering Index >80
- Start-up/Warm-up time: <1 ms
- Switching Cycles: 100 000
- Power factor: >0.85
- Lumen Maintenance Factor: 0.7
- Colour consistency: <6 SDCM
- A+ Energy Efficiency
- Dimmable

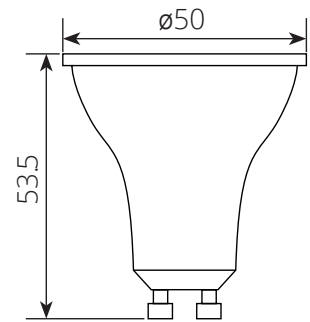
Recommended operation temp.

This max for L70/B50: 80

Tsh test point



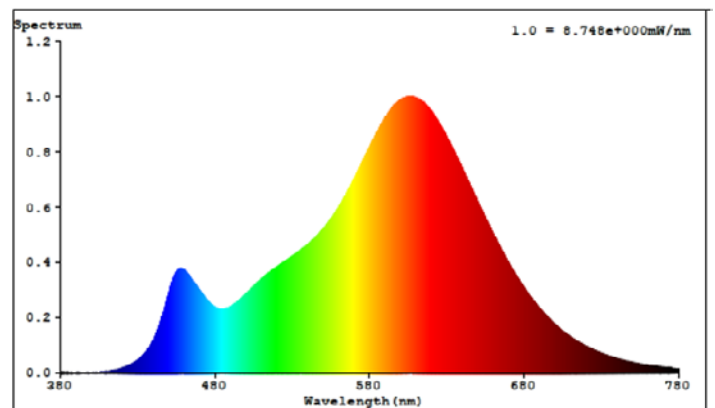
Dimensions (mm)



Packaging image



Spectral distributions



All values 180-400nm are 0

Operation and maintenance

- Store and use the lamps the same way as traditional lamps.
- Check your fixtures are properly wired and don't deliver voltage spike to lamps causing overheating/failure.
- Ambient temperature range -20° C to 40°C
- Lamps should be kept free from contamination.
- Good condition of the lamp-holder contacts is important to ensure proper operation of lamp.
- Ensure lamp is cool before removing.
- Switch off mains supply before installing/removing lamps.
- Not for use in totally enclosed recessed fixtures.
- These Energy Smart™ GU10 WarmDim lamps are dimmable on most leading and trailing edge dimmers, for more information please check our website www.tungram.com/dimming-led

