

## LED Energy Smart™ MR16 Dimmable

8W equivalent for 50W



DATA SHEET

### Product information

Tungsrám now presents the new MR16 dimmable product with high lumen output. A true 50W Halogen lamp energy saving replacement. Available in three colour temperatures and a smooth heat sink to suit most professional lighting needs.

### Features & Benefits

- 50W equivalent
- Total Lumens: up to 670
- Long lifetime of 25 000 hours (L70/B50)
- Three colour temperatures: 2700K, 3000K, 4000K
- A+ Energy Class
- Beam angle: 35°
- Dimmable
- Warranty: 2 years with maximum 8000 burning hours according to Tungsrám Operations Kft. Standard Warranty conditions

### Application areas



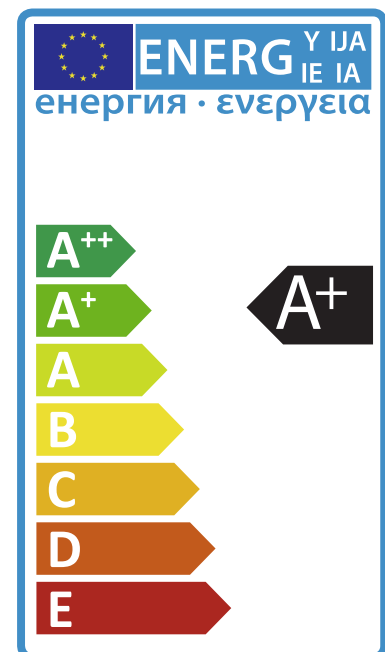
Home



Hospitality



Retail



### IEC Standards

- EN 55015: Limits and methods of measurement of radio disturbance characteristics of electrical lighting
- EN 61547: Equipment for general lighting purposed EMC immunity requirements
- IEC 62471: Photo biological safety of lamps and lamp systems
- IEC 62838:2016: Self-ballasted LED-lamps for general lighting services with supply voltages not exceeding 50V a.c.r.m.s or 120v ripple free d.c.-safety specification.
- IEC/TR 62778:2014: Assessment of blue light hazard to light sources and luminaries
- EN 62493:2010, 2015: Assessment of lighting equipment related to human exposure to electromagnetic fields

## Specification summary

Product Code	Direct Shipment Product Code	Product Description	Dimm.	Nominal/ Rated Power (W)	Repl Watt (W)	Nominal/ Rated Lumens (lm)	Nominal/ Rated Useful Lumens (lm)	Rated Peak Intensity (cd)	CCT (K)	WEC (kwh/1000h)	Pack Qty
93094473	93094474	LED ESmart MR16 8W(50)Dim 827 35° TU	Yes	8.0	50	650	621	1350	2700	8.0	1/8
93094475	93094476	LED ESmart MR16 8W(50)Dim 830 35° TU	Yes	8.0	50	650	621	1350	3000	8.0	1/8
93094477	93094478	LED ESmart MR16 8W(50)Dim 840 35° TU	Yes	8.0	50	670	630	1400	4000	8.0	1/8

## Common attributes

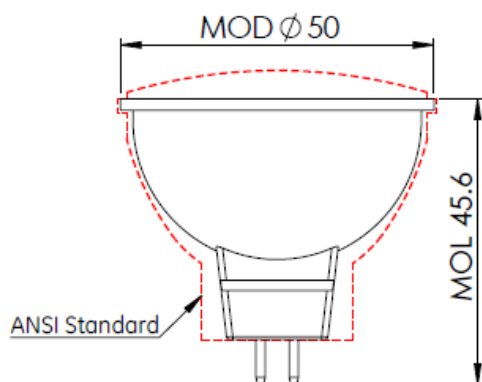
- Nominal/ Rated Life (L70/B50 hours): 25 000 Hrs
- Cap/Base: GU5.3
- Nominal/Rated Beam Angle : 35°
- Input Voltage 12V
- Colour Rendering Index >80
- Start-up/Warm-up time: <1sec/instant
- Switching Cycles: 50 000
- Power factor: 0.8
- Lumen Maintenance Factor: 0.7
- Colour consistency: <6 SDCM
- A+ Energy Efficiency

## Recommended operation temperature

- Ths Max 96°C



## Dimensions (mm)



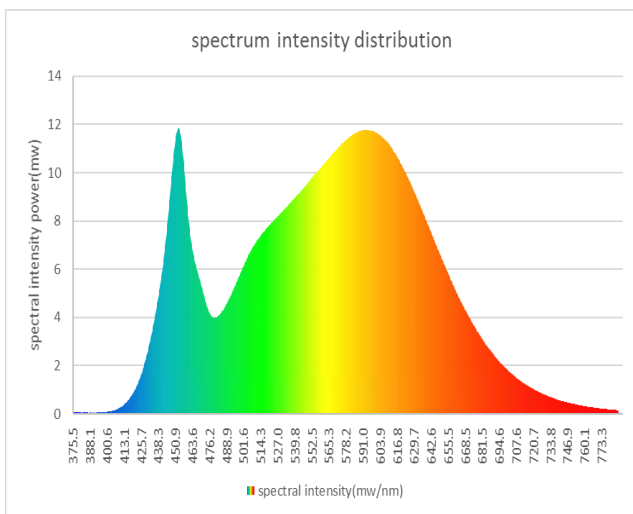
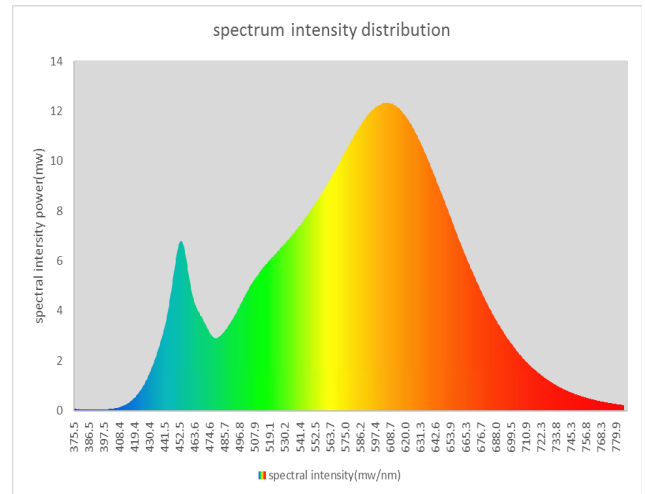
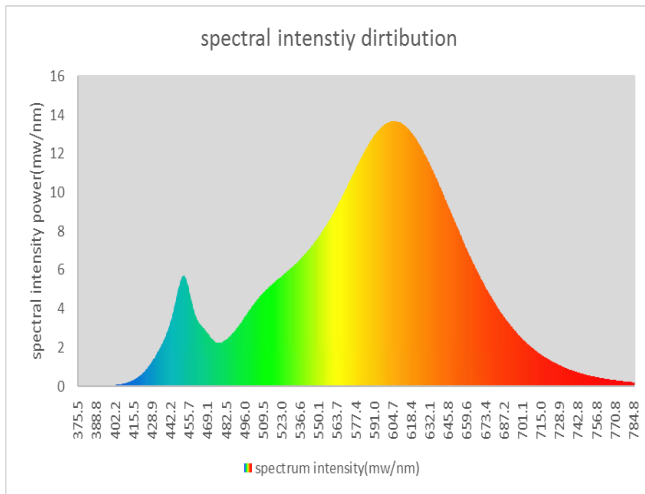
## Packaging image



## Operation and maintenance

- Store and use the lamps the same way as traditional lamps.
- Check your fixtures are properly wired and don't deliver voltage spike to lamps causing overheating/failure.
- Ambient temperature range -20° C to 40°C
- Lamps should be kept free from contamination.
- Good condition of the lamp-holder contacts is important to ensure proper operation of lamp.
- Ensure lamp is cool before removing.
- Switch off mains supply before installing/removing lamps.
- Not for use in totally enclosed recessed fixtures.
- These Tungsram LED Energy Smart™ MR16 50W equivalent products are dimmable on most leading and trailing edge dimmers, for more information please check our website [www.tungsram.com/dimming-led](http://www.tungsram.com/dimming-led)

# Spectral distributions



All values 180-400nm are 0

