

# LED Downlight Adjustable/ Scoop range



DATA SHEET

## Product information

Tungsrám COB downlight is unique designed with reflector and Citizen COB high power LED chip. The die-casting aluminium profile provides excellent thermal dissipation. Adjustable lighting direction provides all possible lighting effects.

## Features & Benefits

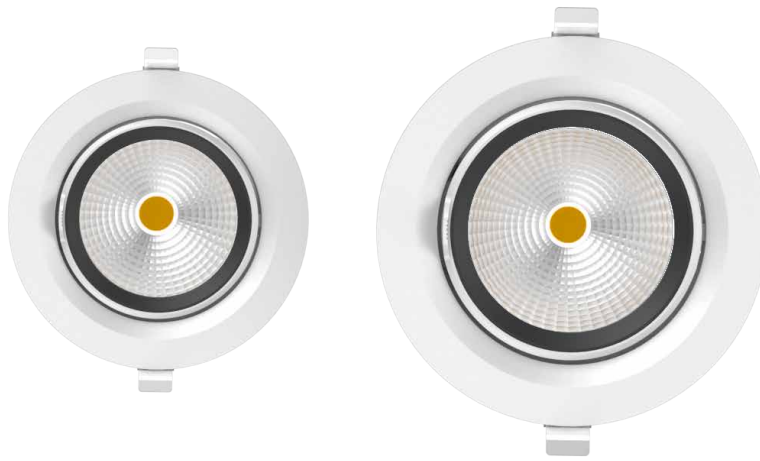
- Up to 50% energy saving compared to standard HID
- Non-dimmable remote driver with plug and play connection.
- 40°/50° beam angle
- Ø165-170mm cut out (33W) and Ø120-130mm cut out (20W)
- 3000&4000K CCT with 80CRI
- No UV/IR light
- Environment friendly, without Mercury or any other hazardous substances
- White finishing
- Adjustable tilt angle from -15° to 35°
- Die-cast aluminium body and heatsink for good thermal management
- PF >0.90
- LED lifespan L70B50 50 000 hours at 25°C
- 5 year warranty
- A+/A++ energy efficiency class
- IP20

## Application areas

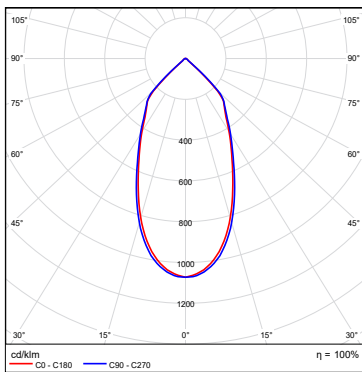


## Specification summary

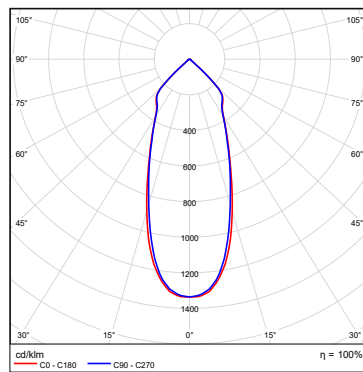
Product code	Product description	CCT (K)	CRI	Wattage (W)	Lumen (lm)	Efficacy (lm/W)	Voltage (V)	Current [mA]	Beam angle (°)	Control	Energy Class
93114427	LED Scoop 33W 830 S 40D	3000	>80	33	3400	103	220-240	200	40	Static	A+
93114428	LED Scoop 33W 830 S 50D	3000	>80	33	3400	103	220-240	200	50	Static	A+
93114430	LED Scoop 33W 840 S 40D	4000	>80	33	3500	106	220-240	200	40	Static	A+
93114431	LED Scoop 33W 840 S 50D	4000	>80	33	3500	106	220-240	200	50	Static	A+
93114877	LED Scoop 20W 830 S 40D	3000	>80	20	2100	105	220-240	200	40	Static	A++
93114878	LED Scoop 20W 830 S 50D	3000	>80	20	2100	105	220-240	200	50	Static	A++
93114880	LED Scoop 20W 840 S 40D	4000	>80	20	2200	110	220-240	200	40	Static	A++
93114881	LED Scoop 20W 840 S 50D	4000	>80	20	2200	110	220-240	200	50	Static	A++



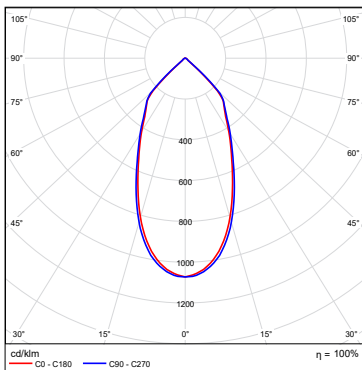
## Photometric data



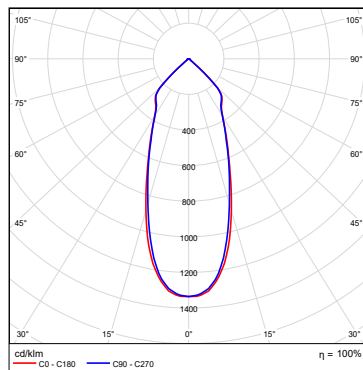
20W 3000K



20W 4000K



33W 3000K



33W 4000K

Photometry is based on LM79

## Regulatory and standards

Regulatory mark: CE

Regulations: 2014/35/EU, 2014/30/EU, 2011/65/EU, (framework 2009/125/EC) EU/1194/2012 amended by EU 2015/1428, (framework 2010/30/EC) 874/2012 and 518/2014\*, 2012/19/EU\*

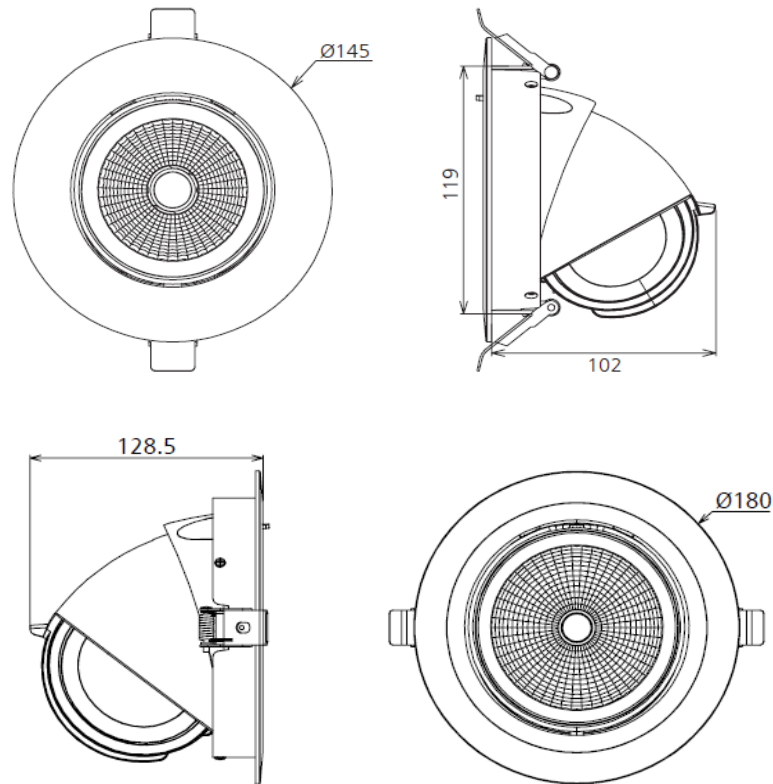
Harmonized standards: EN 60598, EN 62493, EN 61547, EN55015, EN 61000,

look for CE Declaration of Conformity and Technical File for details

Photobiological risk assessment group 1. The product is considered safe, does not pose any photobiological hazard

\*not on DOC

## Dimensions (mm)



Description	Outer diameter (mm)	Height (mm)	Cut out (mm)	Weight (kg)
LED Scoop 20W xxx	145	102	120-130	0.57
LED Scoop 33W xxx	180	125	165-170	1.07