



High Bay IP66



Product information

This new IP66 rated LED fixture range offers an exceptional mixture of value and performance for High Bay applications requiring high water and impact resistance. This brand new Tungsram developed range has been upgraded to reach very high efficacy up to 182 lm/W with lumen packages from 10,000 to 44,000 lumens. The range includes wide variety of alternatives for colour temperature, color rendering, beam angle and control systems to fit customer requirements. DALI, IoT and various sensor versions offer individual and grouped fixture control. Designed to replace high watt HID and T5/T8 LFL fixtures.

Applications

- Designed to meet luminance and illuminance requirements for High bay and Low bay applications where water resistance and high impact resistance is specified

Finish

- Painted white finish with standard color: RAL 9016

Ratings

Temperature Rated at -30°C to +60°C

- 1H10 - L80B50 > 90 000 @ Ta=60
- 1H10 - L80B50 >100 000 @Ta=25
- 1H20 - L80B50 > 72 000 @ Ta=60
- 1H20 - L80B50 >100 000 @Ta=25
- 2H30 - L80B50 > 82 000 @ Ta=60
- 2H30 - L80B50>87 000 @ Ta=60
- 2H45 - L80B50>78 000 @Ta 60
- 2H45 - L80B50>100 000 @Ta 25
- 1S10 - L80B50 > 100 000 @ Ta=50
- 1S10 - L80B50 >100 000 @Ta=25
- 1S20 - L80B50 > 63 000 @ Ta=50
- 1S20 - L80B50 >100 000 @Ta=25
- 1S30 - L80B50 > 50 000 @ Ta=48
- 1S30 - L80B50 >83 000 @Ta=25

LED & Optical Assembly

- Utilising the high performing NEW Tungsram optics system to provide optimised illumination for open floor and racked aisles with photometric distributions of 30, 60, 90 and 120 degrees
- Lumen packages up to 30,000 lumens
- 4000K & 5000K versions
- 70 & 80 CRI options

Application areas

- warehouses
- production halls
- logistics
- sports halls
- airplan hangars



DATA SHEET

Mounting

- Two mounting options: Bracket kit for ceiling and wall mounting or Suspension holder kit

Housing

- Robust extruded aluminum body with integrated cooling ribs and tempered glass window
- IP66 for DALI and Fixed Output, IP65 for Sensor versions. Protection level against mechanical impact IK08.

Electrical

- 220-240V/50-60Hz
- System power factor is >90% and THD <20%

Remote controller Accessories

Need to be ordered separately

- * Remote controller - product code 93110511

Controls

- Fixed output available for Standard (S) series only.
- 1S30, 2S30 and 2S45 2 drivers, DALI versions have 2 DALI addresses.
- Dali versions are available for both High (H) and for Standard (S) series
- SN motion & lux sensor – enables standalone fixture control up to 15m installation height. Can be used with Standard (S) series only
- RF wireless sensor – enables control for grouped fixtures with RF (Radio Frequency) sensor in a local lighting control system grid without additional DALI wires, up to 12m installation height. Available for both High (H) and Standard (S) series.
- Sensors working frequency is 5.8Ghz. The protection level for both RF and SN sensors is IP65
- Transmitting data on the same frequency band in close proximity to the installation of sensor products may cause potential interferences.

Order Logic

Product ID	Module / Efficiency / Lumen	CCT / CRI	Optic	Sensor - Control	Options1	Options2
TU High bay IP66 - Standard						
TU HB IP66 G1	1S10 - 1M Std 10klm	4K - 4000K 70 CRI70	C1-120° Clear	FX- Fix output DL- DALI	ST-Standard	PC- Pre-cabled QC- Quick Connect
	1S20 - 1M Std 20klm	5K - 5000K 70 CRI70	L9-90° Clear			
	1S30 - 1M Std 30klm	4K - 4000K 80 CRI80	L6-60° Clear			
		5K - 5000K 80 CRI80	L3-30° Clear			
TU High bay IP65 - Standard						
TUHB IP65 G1	1S10 - 1M Std 10klm	4K - 4000K 70 CRI70	C1-120° Clear	SN- Sensor(ON/OFF) RF Sensor(Motion&Lux)	ST-Standard	PC- Pre-cabled QC- Quick Connect
	1S20 - 1M Std 20klm	5K - 5000K 70 CRI70	L9-90° Clear			
	1S30 - 1M Std 30klm	4K - 4000K 80 CRI80	L6-60° Clear			
		5K - 5000K 80 CRI80	L3-30° Clear			
TU High bay IP66 - High Efficiency						
TUHB IP66 G1	1H10 - 1M High 10klm	4K - 4000K 70 CRI70	C1-120° Clear	DL- DALI	ST-Standard	PC- Pre-cabled QC- Quick Connect
	1H20 - 1M High 20klm	5K - 5000K 70 CRI70	L9-90° Clear			
	2H30 - 2M High 30klm	4K - 4000K 80 CRI80	L6-60° Clear			
	2H45 - 2M High 45klm	5K - 5000K 80 CRI80	L3-30° Clear			
TU High bay IP65 - High Efficiency						
TUHB IP65 G1	1H10 - 1M High 10klm	4K - 4000K 70 CRI70	C1-120° Clear	RF Sensor(Motion&Lux)	ST-Standard	PC- Pre-cabled QC- Quick Connect
	1H20 - 1M High 20klm	5K - 5000K 70 CRI70	L9-90° Clear			
	2H30 - 2M High 30klm	4K - 4000K 80 CRI80	L6-60° Clear			
	2H45 - 2M High 40klm	5K - 5000K 80 CRI80	L3-30° Clear			



Module / Efficiency / Lumen	5000K 70 CRI Clear 120 optics Dali driver			
	Module	Power(W)**	Lumen	lm/W
1S10	1	67	10000	149
1S20	1	141	20500	145
1S30 *	1	199	29200	151
1H10	1	56	10200	182
1H20	1	116	20100	173
2H30 *	2	170	30100	177
2H45 *	2	260	44100	170

CCT/CRI multipliers	
5K70	100%
5k80	96%
4K70	96%
4K80	95%

Optical multipliers	
C1	100%
L9	93%
L6	90%
L3	90%

* 1S30, 2H30 and 2H45 has 2 drivers, DALI versions have 2 DALI addresses

** Fix output and sensor versions could have slightly different values

Mounting & Accessories

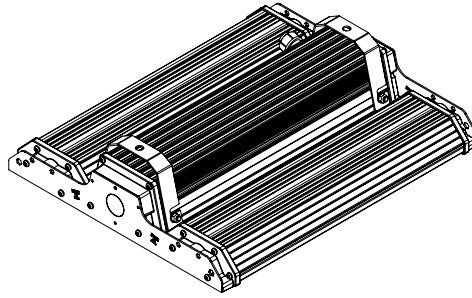
Mounting Options

Image

Accessories

Bracket kit (optional)

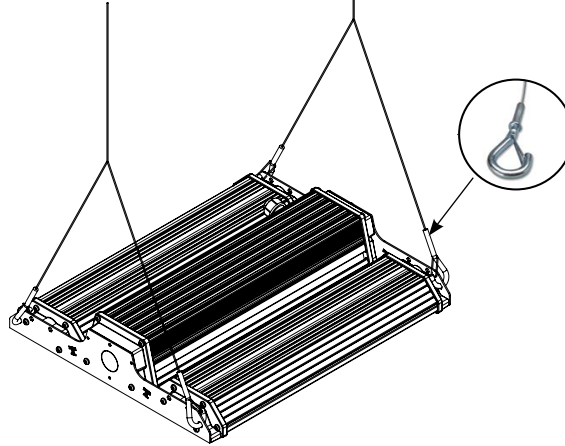
Order separately.
Attaches to M10 threaded rod
(rod and nuts not included).



High Bay IP66 fixture Bracket kit
93108565

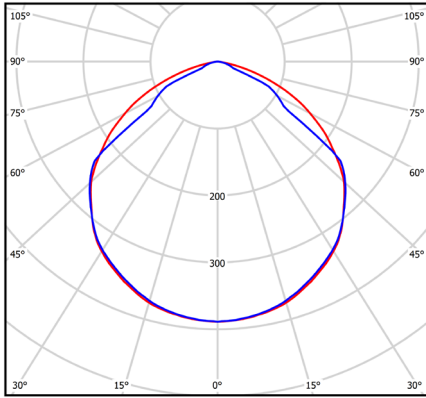
Suspension holder kit (optional)

Order separately. Price adder per pair.

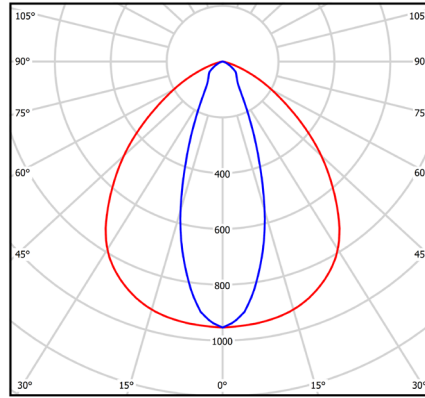


Cable options:
1.5 m cable
YCABLEHOOK05FTPAIR - 5 FOOT PAIR
3 m cable
YCABLEHOOK10FTPAIR - 10 FOOT PAIR
4.5 m cable
YCABLEHOOK15FTPAIR - 15 FOOT PAIR
6 m cable
YCABLEHOOK20FTPAIR - 20 FOOT PAIR

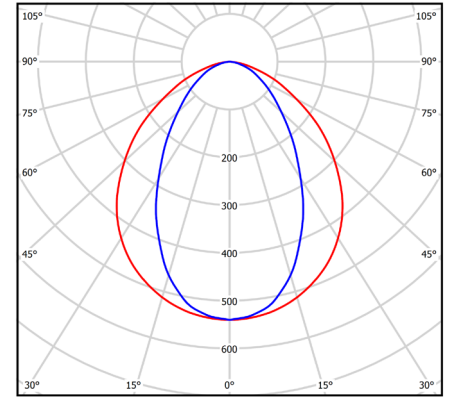
Photometric data



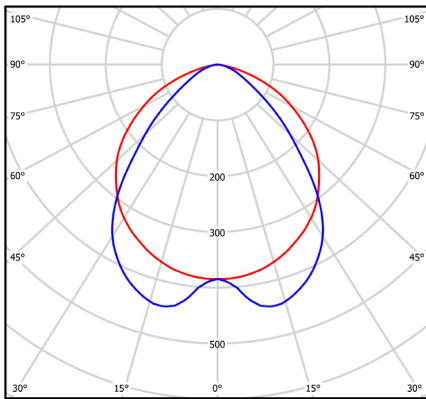
C1



L3

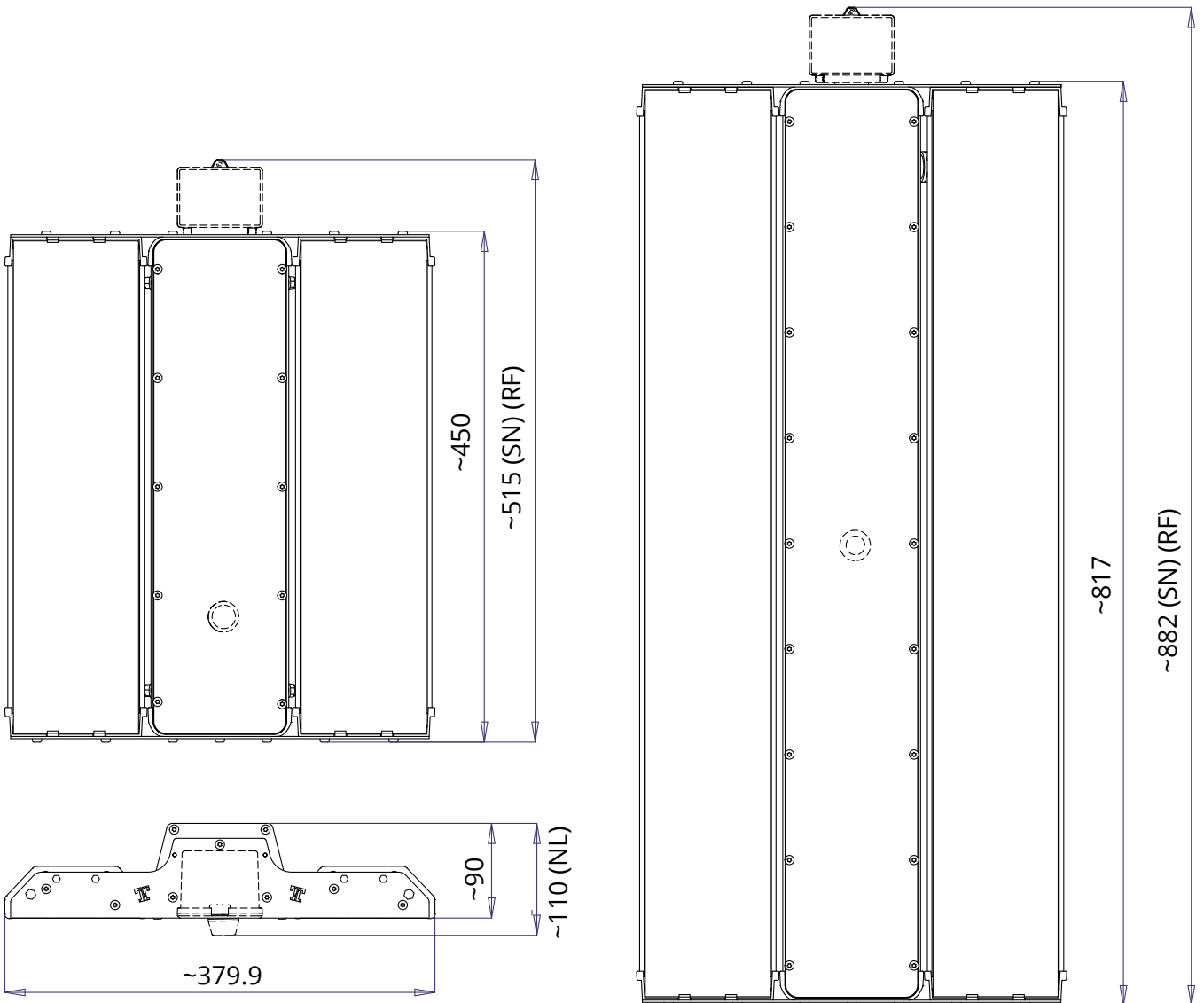


L6



L9

Dimensions (mm)



Module	Weight
1 module	8kg
2 modules	12kg

