

Recessed Spotlight G1 6W



Product information

The TUNGSRAM Recessed Spotlight G1 6W range is ideal for small areas or when you are looking for directional lighting. These LED fixtures are designed to offer quick replacement option for standard halogen spots.

Benefits

- Ideal replacement for Halogen spotlights
- 88% energy saving compared to 50W Halogen MR16
- Tilting head to adjust light beam where needed
- Affordable solution for retrofit or new installations
- Reduced replacement and maintenance costs
- Healthy – UV-free & IR-free

Features

- High efficiency: up to 90lm/w
- 30 000 hours lifetime (L70)
- Nominal Voltage: 220-240V
- Operating frequency: 50-60Hz
- 3 colour temperatures: 3000, 4000 and 6500K
- Colour rendering index: CRI 80+
- Beam angle: 40°
- Operation temperature: -10°C to 40°C
- Luminaire storage: -40°C to 60°C

Fixture structure

- Integrated polycarbonate lens and adjustable die-casting aluminum housing to exhibit desired lighting effect with high efficacy
- Output short circuit protection for fault condition
- Wire spring leaf for secure installation
- Tested for glow wire at 850°C
- Suitable for 68-72mm cut-out size

Application areas



Retail



Hospitality



Office



General lighting/
Residential

Specification summary

Product Code	Product Code (DS)	Description	Wattage (W)	Lumen (lm)	Nominal Current (mA)	Efficacy (lm/W)	CCT (K)	Energy Class	Replacement for Halogen
93107544	93103684	LED Spotlight G1 TU WRA IP20 6W 830 S	6	550	24-34mA	90	3000	A+	1*50W
93107545	93103685	LED Spotlight G1 TU WRA IP20 6W 840 S	6	550	24-34mA	90	4000	A+	
93107546	93103686	LED Spotlight G1 TU WRA IP20 6W 865 S	6	550	24-34mA	90	6500	A+	

Common attributes

Efficacy: 90lm/W

Power Factor: >0.9

Rated life: 30 000 hours

THD: <30%

IP rating: IP20

Dimmable: No

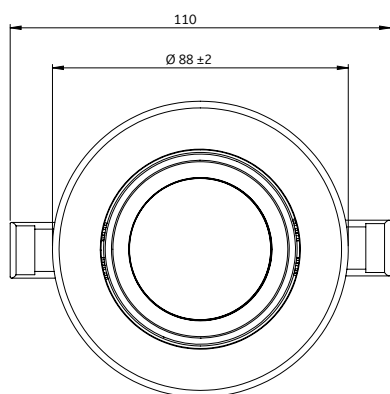
Regulatory and standards

Regulatory mark: CE

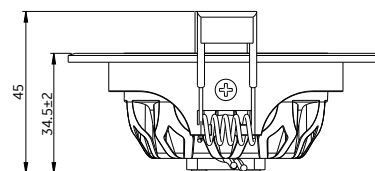
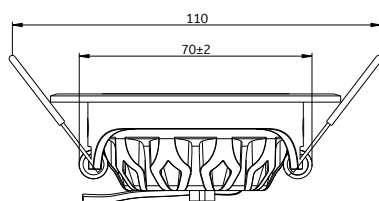
Regulations: 2014/35/EU, 2014/30/EU, 2011/65/EU, (framework 2009/125/EC) EU/1194/2012 amended by EU 2015/1428, (framework 2010/30/EC) 874/2012 and 518/2014*, 2012/19/EU*

Harmonised standards: EN 60598, EN 62493, EN 61547, EN55015, EN 61000, refer to CE Declaration of Conformity and Technical File for details
*not on DOC

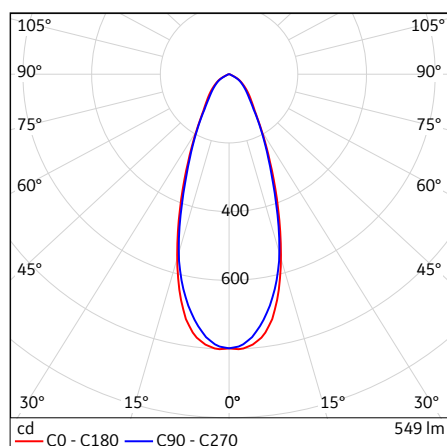
Dimensions (mm)



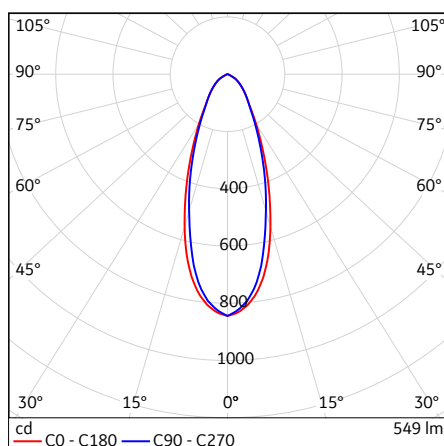
Size	Outer Diameter (mm)	Height (mm)	Cut-out hole (mm)	Cut-out Weight (kg) (with driver)	Weight (kg) (without driver)
Ø88.*34.5	88 +/- 2	34.5 +/- 2	70 +/- 2	0,17	0,13



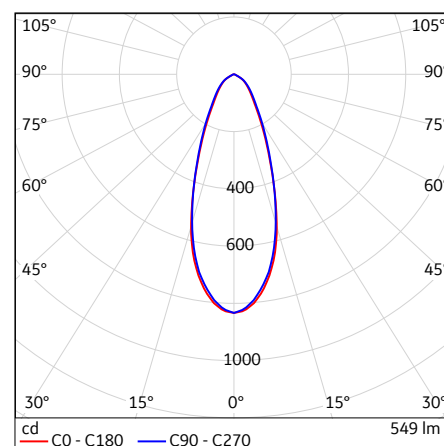
Photometric data



6W 3000K



6W 4000K



6W 6500K

Photometry is based on LM79

Ordering information

Internal Code	Generation	Brand	Rim color	Rim shape	Diffuser	IP rating	System Wattage	CRI	CCT	Dimming	Shipment
LED Spotlight	G1 - Generation 1	TU - TUNGSRAM	W - White	R - Round	A - Adjustable	IP20	6W	8 - 80 CRI	30 - 3000K 40 - 4000K 65 - 6500K	S - Static	DS - Direct Shipment

Example: LED Spotlight G1 TU WRA IP20 6W 830 S,

IP20 rated adjustable 6W Recessed Spotlight with white round bezel, non dimmable, 3000K CCT