

SUPRA-550



Product information

The Supra-550 is a spherical luminaire, with integral reflector suited to both road and area lighting, designed in accordance with current requirements for limiting light emissions towards the upper hemisphere.

Luminaire & ballast are supplied and tested by GE, ensuring the best possible product quality. GE lamps can be ordered separately.

Application: best suited for all round city, residential areas, walkways and commercial centres.

Structures and materials

Base: die-cast aluminium, robust and highly decorative, electrostatically sprayed with a polyester powder paint finish, following anti-corrosion priming, and oven cured at 180°C.

Standard colour: RAL 7035 grey.

Mounting system: on a 48 to Ø60mm diameter column.

Electrical and gear compartment

Control gear: fitted to the base gear tray.

Degree of protection IP55.

Gear tray supports: Mercury Vapor lamps up to 250W, HPS and Metal Halide up to 150W.

Optics

Optical assembly sealed for an IP55 degree of protection, consisting of:

Refractor: spherical prismatic refractor extruded in UV stabilised impact-resistant acrylic or polycarbonate.

Comprises two sealed parts and incorporates internal and external prisms for optimum light and glare control.

Reflector: symmetric aluminium reflector joined to the upper body of the refractor. Minimizes light emissions towards the upper hemisphere, increasing useful light at ground level.

Optical assembly: fixed to the base with a clamp-type pressure system that can be operated from the outside.

Gasket: EPDM rubber gasket between the base and the optical assembly.

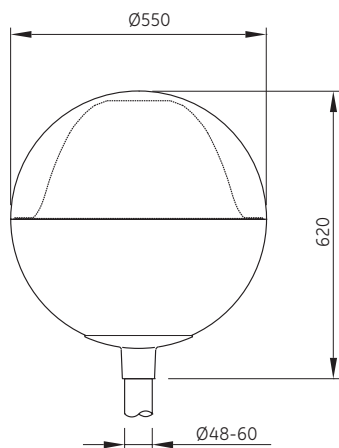
Accessories/options

Class II optional.

The luminaire can be supplied without the internal reflector.



Dimensions [mm]



SUPRA-550

Description	Lamp	Product code
SUPRA-550 AR BOWL	LU 70/90/MO/T/E27	519722
SUPRA-550 AR HPS 70W HOUSING	LU70/90/D/27	519718
SUPRA-550 AR HPS 100W HOUSING	LU100/100/XO/T/40	519719
SUPRA-550 AR HPS 150W HOUSING	LU150/100/40	519720
SUPRA-550 AR CMH 150 T U HOUSING	CMH150/T/UVC/830/E40	519721

Reflector: AR – impact-resistant acrylic Luminaire supplied without lamp

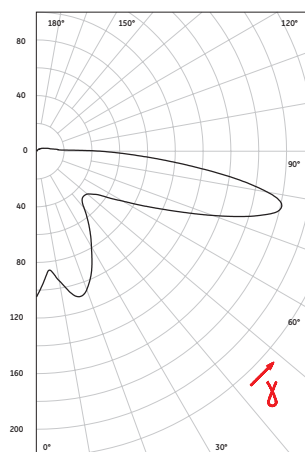
Options: RC – Bi power system
C2 – Class II

Specifications

Dimensions [mm]	550x620 (diameter x height)
Weight [kg]	5
Pole Mounting [mm]	Ø48 and Ø60
Ballast	HPS and MH up to 150W, MV 250W, 230V, 50 Hz
Reflector	Symmetric
Protection Degree	Full IP55, optical assembly and gear compartment
Class	Class I. Class II optional
Upper hemisphere flux [%]	3.40 to 7.31
Windage load [m ²]	0.1
Operating Temperature [°C]	25°C. Contact us for higher temperatures
Regulations	CEI 34.21/EN60598 -1, IEC 60

Photometric data

SUPRA-550/VHPS100
FIXED LAMPHOLDER POSITION



Intensity in the vertical plane, in candela per 1000 lumens

LONGITUDINAL ———
TRANSVERSAL ———
PRINCIPAL ———