

Iberia LED



OXIDON GREY      

Product information

Iberia LED is a decorative LED luminaire. In wattages up to 90W, it is available with symmetrical and asymmetrical distributions.

Application: the flexibility of the different options that are available means it is suitable for all applications in amenity lighting, pedestrian lighting and squares.

Structures and materials

Housing: elliptical die-cast aluminium housing fixed to the central ring with three screws for a perfect fixing and sealing and a hinged die-cast aluminium door that supports the optical assembly.

Standard colour: oxidon grey.

Fixing system: provides multiple configurations (see accessories section).

Electrical and gear compartment

Placed into the elliptical housing and isolated from the environment with a protection degree IP45.

Driver support board: manufactured in galvanized sheet, mounted into the central ring.

Electronic elements are mounted on this board.

Optics

Optical assembly: hermetically sealed providing IP65. Due to the advanced LED optical systems, the fixture provides high uniformity and improved vertical light distribution.

- Type III: asymmetric distribution (street type) – 90W system consumption
- Type IV: asymmetric distribution – 63W system consumption
- Type V: symmetric distribution – 90W system consumption

CRI: 70

CCT: 4100 and 5700 Kelvin.

Maintenance

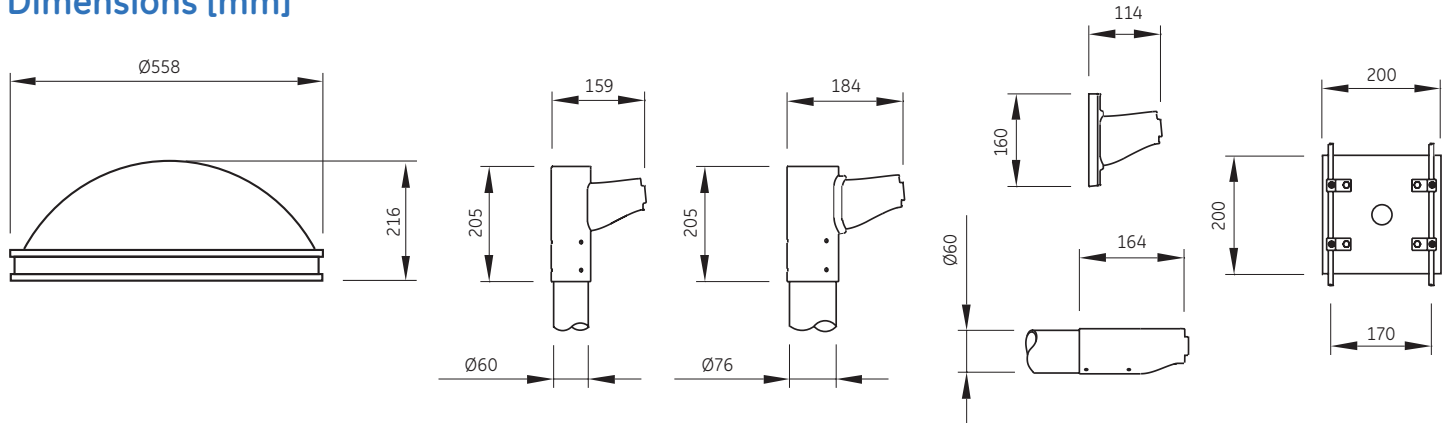
50,000 hours rated LED life, L85 for low maintenance.

Accessories/options

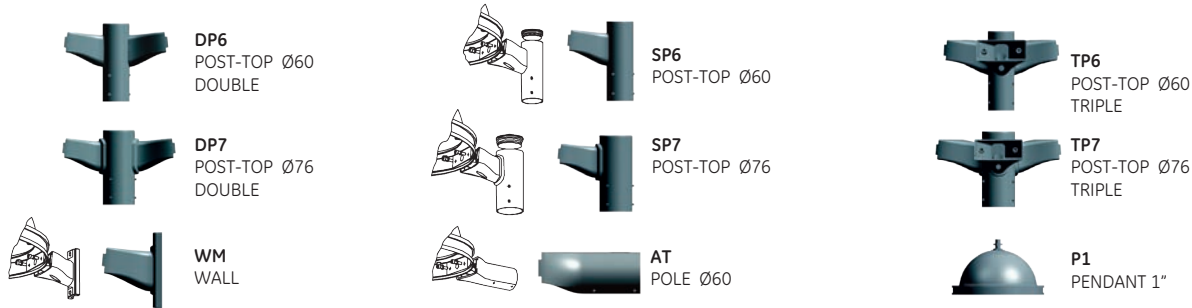
- Post-top mounting on Ø60 or 76mm column, available in single, double or triple.
- Side-entry mounting on Ø60mm bracket.
- Wall mounting.



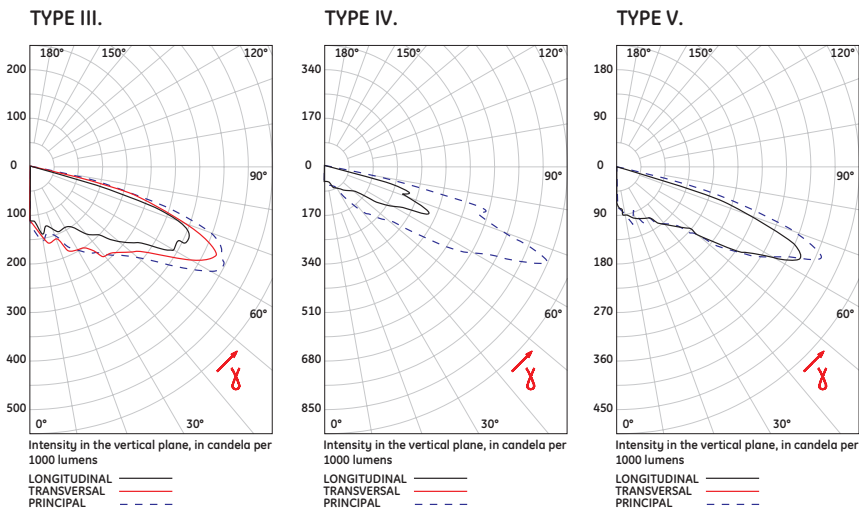
Dimensions [mm]



Mountings



Photometric data



Specifications

Dimensions [mm]	558x216 (diameter x height)
Weight [kg]	10.6
Driver	up to 90W, 230V, 50Hz
Reflector	Symmetric and Asymmetric
Protection Degree	IP65 optical assembly IP45 gear compartment
Class	I.
Upper hemisphere flux [%]	0.0
Windage load [m ²]	0.24
Operating Temperature [°C]	25°C. Contact us for higher temperatures
Regulations	CEI 34.21/EN60598 -1, IEC 60

Iberia LED

Wattage [W]	Product Description	Product Code
90	IBERIA/E/LED/D SYM5/41 GRIS 150 SABLE	525040
90	IBERIA/E/LED/D SYM5/57 GRIS 150 SABLE	525041
90	IBERIA/E/LED/D ASY3/41 GRIS 150 SABLE	525042
90	IBERIA/E/LED/D ASY3/57 GRIS 150 SABLE	525043
63	IBERIA/E/LED/D ASY4/41 GRIS 150 SABLE	525044
63	IBERIA/E/LED/D ASY4/57 GRIS 150 SABLE	525045