

LED Area Lighter



DATA SHEET

RAL 9011 IP65 IP65 IK08 SINGLE: 12 KG DOUBLE: 18 KG 

Product information

The new generation of the GE LED Area Lighter continues to deliver the same outstanding features associated with the original product, adding greater flexibility and style. The new aesthetics offer a sleek, modern look, and balance the need for photometric scalability with reliable performance. The new modular design provides 34 photometric combinations, available in two colour temperatures, to meet a wide range of needs.

The GE exclusive optical ring design produces superior vertical illuminance and efficiently delivers the required amount of light for each application, without wasteful and unwelcomed light spill into neighbouring properties. Additionally, reduced energy consumption combined with a long rated life that virtually eliminates ongoing maintenance expenses, enables the new LED Area Lighter to provide significant operating cost benefits over the life of each luminaire.

Application: this luminaire is ideal for efficient lighting of parking, pedestrian and other general lighting areas.

Electrical and gear compartment

Driver: the dimmable analogue driver is mounted in a separate compartment, isolated from the optical assembly, with a protection of IP65.

Nominal line voltage: 200-277 V 50/60 Hz.

Lumen maintenance

System rating is 50,000 hours at L85.

Optics

Optical assembly: hermetically sealed providing IP65. **Structured LED arrays:** for optimised area light photometric distribution. **GE modular light engine:** consisting of nested concentric directional reflectors designed to optimised application efficiency and minimise glare. Utilises High Brightness LEDs: 70 CRI at 4000K and 5700K typical, binned per ANSI C78.377-2008. Photometric measurement: in accordance with LM-79.

Installation

Standard side entry mounting: on 60mm diameter poles.

Optional post-top: on 60mm diameter poles, using a steel device painted in black colour. This coupling must be ordered separately.

Ambient temperature: -40°C to +50°C.

Structures and materials

Housing: die-cast aluminium. Slim architectural design incorporates modular heat sink light engines directly into the unit, ensuring maximum heat transfer, long LED life and a reduce EPA.

Housing material: minimum 2.0 mm thickness of aluminium with corrosion resistant polyester, powder coating.

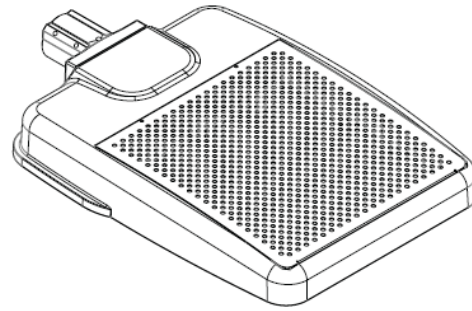
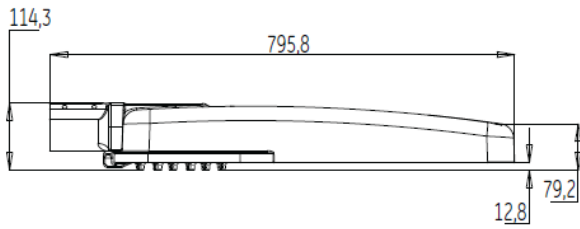
Standard colour: RAL9011 black. Other RAL colors available on demand.

Meet 2G vibration test.

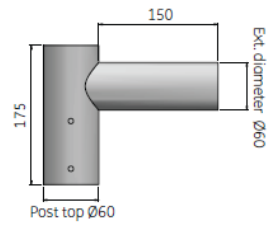
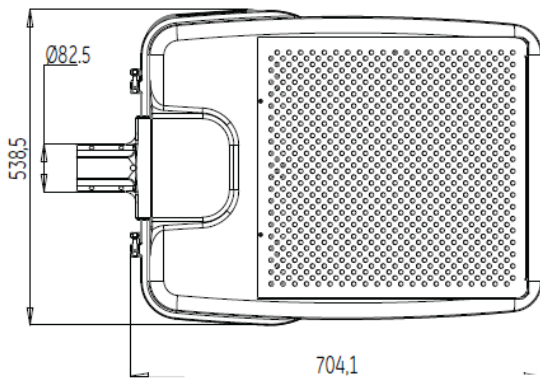
Dimensions [mm]

Medium (double) module fixtures (EAMM)

Side view



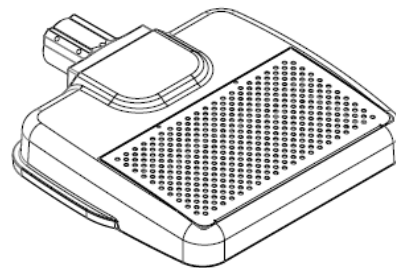
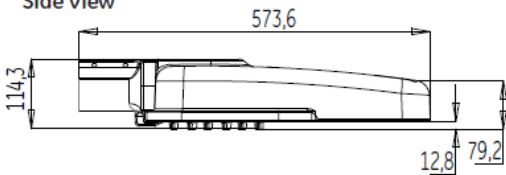
Top view



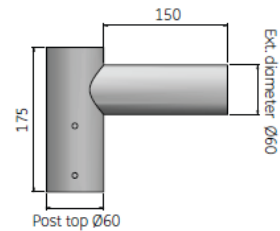
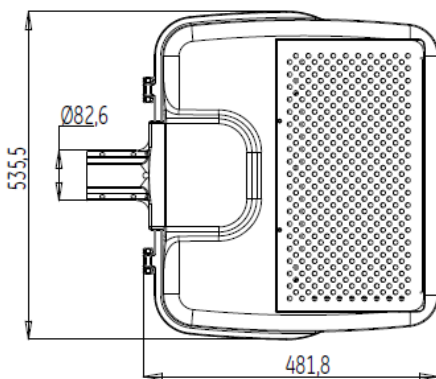
Post top adapter

Small (single) module fixtures (EASM)

Side view



Top view



Post top adapter

IESNA classification



Type V symmetric
medium



Type V symmetric
short



Asymmetric Type IV



Asymmetric Type III

Order logic

Product Family	Housing type	Optical type	Power (W)	Color temperature
ALE- LED Area Lighter	SINGLE	ASYF3 - Asymmetric forward type 3 ASYW4 - Asymmetric forward type 4	50	40 -4000K
			63	57 -5700K
			75	
			88	
			100	

Product Family	Housing type	Optical type	Power (W)	Color temperature
ALE- LED Area Lighter	DOUBLE	SYMM5 - Symmetric Medium type 5 SYMS5 - Symmetric Short type 5	100	40 -4000K
			126	57 -5700K
			150	
			176	
			200	

Product Family	Housing type	Optical type	Power (W)	Color temperature
ALE- LED Area Lighter	DOUBLE	ASYF3 - Asymmetric forward type 3 ASYW4 - Asymmetric forward type 4	126	40 -4000K
			138	57 -5700K
			150	
			162	
			176	
			188	
			200	