

LED MR16

7W replacements for 35W and 50W Halogen

Product information

This new range of Dimmable 12V MR16 LEDs provides fantastic energy saving versus halogen, with multiple beam angles and three colour temperatures to suit all professional lighting needs.

Features

- 7W ~ 35W equivalent
- 370-390-430 Lumen range
- 827, 830, 840 Colour Temperature

- 7W ~ 50W equivalent
- 440-460-510 Lumen range
- 827, 830, 840 Colour Temperature

- 15, 25, 35 degree Beam Angles
- Dimmable
- 25,000 hours life (L70)
- Mercury free

Application areas

LED MR16 lamps have massive energy savings versus standard Halogen MR16 lamps. Coupled with long life and dimming, they are superb replacements where halogen lamps are in use such as: accent, display and general lighting applications in commercial, industrial or residential environments.



IEC Standards

IEC 60061-1: Lamp Caps and holders together with gauges for the control of interchangeability and safety

IEC or EN 60969: Self ballasted lamps with g.l.s. - Performance Requirements

IEC or EN 60968: Self-ballasted lamps with g.l.s. - Safety requirements

CIE S 009/E: 2002 Photobiological Safety of Lamps and Lamp Systems

EN 61547: Requirement for General Lighting purposes - EMC Immunity requirement

EN 55015 or CISPR 15: Limits and methods of measurement of radio disturbance characteristics of electrical lighting and similar equipment

EN 61000-3-2: Electromagnetic compatibility (EMC) - Part 3-2: Limits - Limits for harmonic current emissions (equipment input current up to and including 16 A per phase)

EN 61000-3-3: Electromagnetic compatibility (EMC) - Part 3-3: Limits - Limitation of voltage fluctuations and flicker in low-voltage supply systems for equipment with rated current up to 16 A



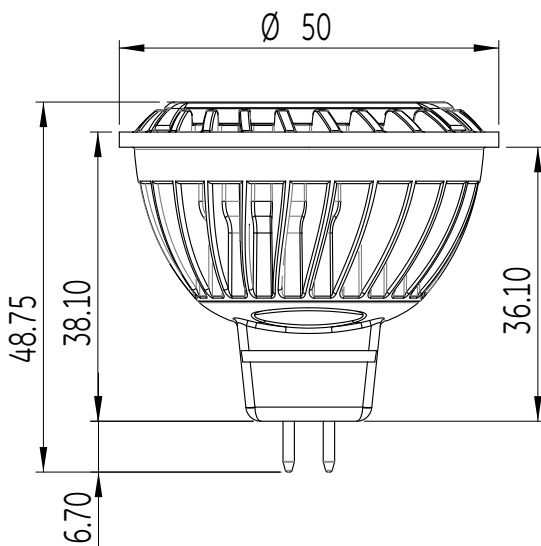
Specification data

Wattage [W]	Volts [V]	Cap	Product Description	Product Code [SKU EMEA]	CBCP	Lumen [lm]	Beam Angle[°]	Equiv. [W]	CCT [K]	CRI	Life [L70,h]	Diameter [mm]	Length [mm]	Dimmable
35W Replacement														
7	12	GU5.3	LED7DMR16/827/15	65808	3500	370	15	35	2700	>80	25000	50	48.8	Yes
7	12	GU5.3	LED7DMR16/827/25	65809	1800	370	25	35	2700	>80	25000	50	48.8	Yes
7	12	GU5.3	LED7DMR16/827/35	65810	1000	370	36	35	2700	>80	25000	50	48.8	Yes
7	12	GU5.3	LED7DMR16/830/15	65806	3700	390	15	35	3000	>80	25000	50	48.8	Yes
7	12	GU5.3	LED7DMR16/830/25	65805	1900	390	25	35	3000	>80	25000	50	48.8	Yes
7	12	GU5.3	LED7DMR16/830/35	65807	1100	390	36	35	3000	>80	25000	50	48.8	Yes
7	12	GU5.3	LED7DMR16/840/15	65811	4000	410	15	35	4000	>80	25000	50	48.8	Yes
7	12	GU5.3	LED7DMR16/840/25	65812	2100	410	25	35	4000	>80	25000	50	48.8	Yes
7	12	GU5.3	LED7DMR16/840/35	65813	1200	410	36	35	4000	>80	25000	50	48.8	Yes
50W Replacement														
7	12	GU5.3	LED7XDMR16827/25	65816	2400	440	25	50	2700	>80	25000	50	48.8	Yes
7	12	GU5.3	LED7XDMR16827/35	65817	1400	440	36	50	2700	>80	25000	50	48.8	Yes
7	12	GU5.3	LED7XDMR16830/25	65814	2500	460	25	50	3000	>80	25000	50	48.8	Yes
7	12	GU5.3	LED7XDMR16830/35	65815	1500	460	36	50	3000	>80	25000	50	48.8	Yes
7	12	GU5.3	LED7XDMR16840/25	65818	2700	510	25	50	4000	>80	25000	50	48.8	Yes
7	12	GU5.3	LED7XDMR16840/35	65819	1600	510	36	50	4000	>80	25000	50	48.8	Yes

Lumen maintenance at rated life

- > 70% lumen maintenance at 25,000 hours
- > 90% reliability at 25,000 hours

Dimensions



Operation and maintenance

- Store and use the lamps the same way as traditional halogen lamps.
- Check your fixtures are properly wired and don't deliver voltage spike to lamps causing overheating/failure.
- Lamps should be kept free from contamination.
- Good condition of the lamp-holder contacts is important to ensure proper operation of lamp.
- Ensure lamp is cool before removing.
- Switch off mains supply before installing/removing lamp.
- Please visit our website for list of compatible transformer and dimming equipment.
- Not for use in totally enclosed recessed fixtures.
- Not for use in emergency lighting circuits.

All GE LED Lamps are covered by a 3 to 5 year limited warranty under the terms set out the website: gelighting.com/eu/led.