

# KERMANN LED

## Exproof Easylight Z1

Ex II 2 G Ex eb mb IIC T5 Gb



DATASHEET

### Product information

The new Kermann Exproof Easylight Z1 exproof LED luminaire is an ideal choice to replace 2x18W, 2x36W and 2x58W fluorescent light fixtures in Zone 2 hazardous industrial areas. Our luminaire is an exceptional mixture of the highest technical quality and an excellent efficacy. With the lumen packages between 2800 – 6500 lm, and the luminaire efficacy up to 136 lm/W all personal needs can be easily met.

### Applications

- Zone 1 hazardous industrial areas, for the general lighting, from small and medium mounting heights.

### Housing

- Aluminium heatsink and steel housing
- Borosilicate glass lens
- 1 COB LED light source
- IP67 rating for the whole luminaire

### Finish

- Powder painted housing
- Standard colors: RAL9005/RAL3028

### Other Option

- Emergency: none
- Controls: none

### LED & Optical Assembly

- For the optimal solution to choose the proper optical system is possible only after the cognition of conditions of use and application
- 60° and 90° beam angle
- High end quality COB LED light source offering exceptional reliability
- 3000K; 4000; 5000; color temperature
- 80; 90 color rendering index

### Mounting

- Universal mounting plate (the accessories need to be ordered separately)
  - screw on the ceiling
  - chain of wire suspended
  - on light column, with pipe clamp
  - on wall mounting

### Environment and life

- Ambient temperature: -20°C - +45°C
- L70B50 50000hrs @40°C

### Electrical

- Input: 220-240VAC / 50-60Hz
- System power factor: >0,95
- THD <20%

# Order Logic

Product ID	Lumen (lm)	CCT / CRI	Optic	Control	Options1	Options1
KEZ1 IP67 G1	3000	3K - 3000K CRI80	L9 - 90° Clear L6 - 60° Clear	FX - Fix output	ST - Standard	PC-PreCabled
	4000	3K - 3000K CRI90				
	5200	4K - 4000K CRI80				
	6600	4K - 4000K CRI90				
		5K - 5000K CRI80				
	5K - 5000K CRI90					

## 4000 K 80 CRI

Nominal lumen (lm)	Rated lumen (lm)	Power (W)	Lumen / watt
3000	2925	22	133
4000	4014	32	125
5200	5243	43	122
6600	6554	55	119

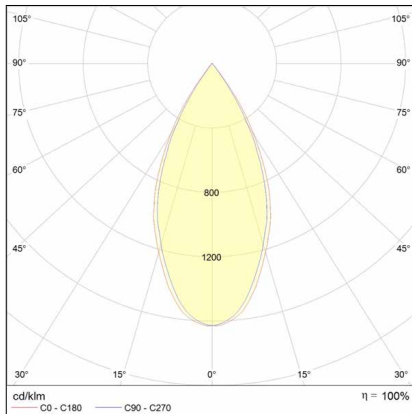
## CCT/CRI multipliers

3K80	96%
3K90	82%
4K80	100%
4K90	86%
5K80	103%
5K90	88%

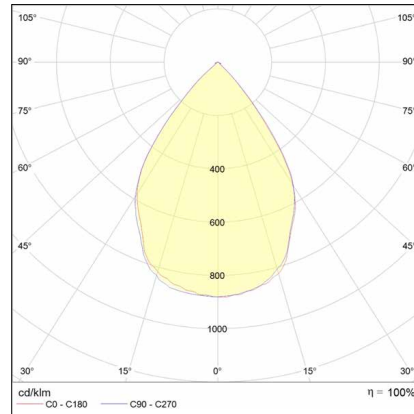
## Optical multipliers

L6	100%
L9	102,7%

## Photometric data



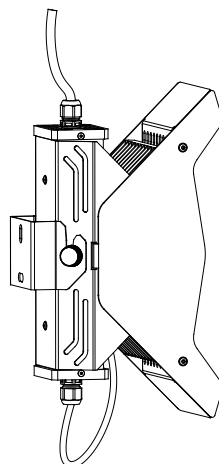
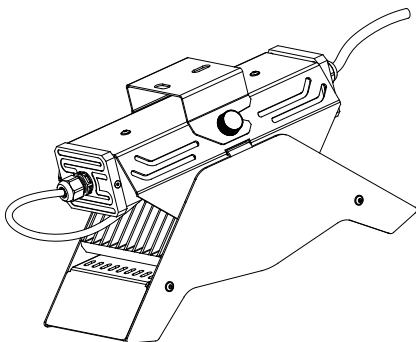
60°



90°

## Mounting and accessories

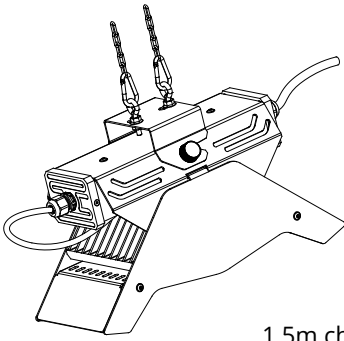
Universal mounting plate (standard desing): suitable for fix ceiling and wall mounting (screws are not included)



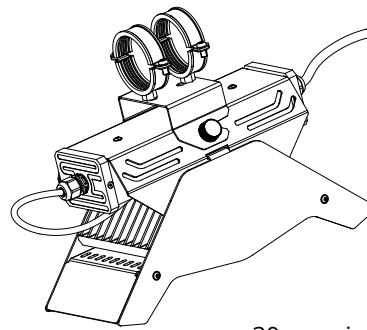
Universal mounting plate  
P/C - TBA

Suspended with chain or wire (optional). Available chain and wire lengths: 1,5m; 3m; 4,5m

Mounting on light column, with pipe clamp (optional): available pipe diameters: 30mm – 90mm



1,5m chain -- P/C TBA  
 3m chain -- P/C TBA  
 4.5m chain -- P/C TBA  
 6m chain -- P/C TBA



30mm pipe - P/C TBA  
 90mm pipe - P/C TBA

## Dimensions (mm)

Net weight: 5.5kg

