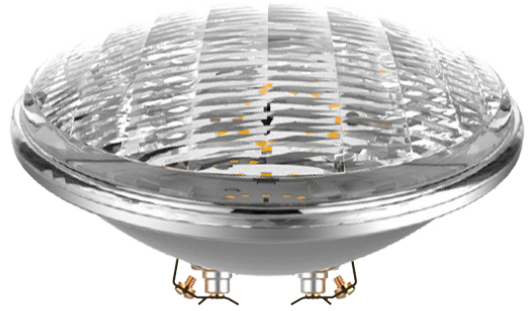


LED Specialty PAR56 Swimming Pool Lamp

16W replacement for 300W halogen



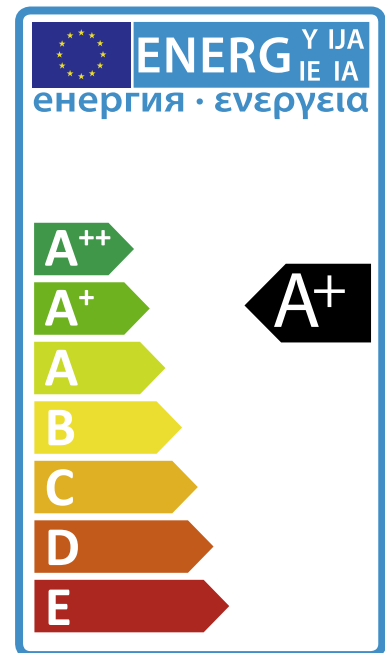
DATA SHEET

Product information

The upgraded design of PAR56 range brings a perfect replacement for the 300W halogen PAR56 solution. With high lumen (1500lm), wide beam angle (90°) and a long life time (25000 hrs), this solution effectively replaces the halogen PAR56 and provides significant (approx 95%) energy savings.

Features & Benefits

- “A+” Energy Class
- 1500 total lumens
- 25,000 Life hours at L70
- Available in 6500K
- Beam Angle - 90°
- Suitable for wet location (IP68) excluding terminals into the brackets
- Retrofit 12V Screw type terminal
- Glass housing
- Warranty: 2 years with maximum 8000 burning hours according to GE Lighting Standard Warranty conditions



Compliance

EN 55015:2013+A1:2015

Limits and methods of measurement of radio disturbance characteristics of electrical lighting and similar equipment

EN 61547:2009

Equipment for general lighting purposes – EMC immunity requirements

The LED PAR56 Pool Lamp is suitable for installation in Swimming pools. It is not suitable for indoor/household illumination purposes.

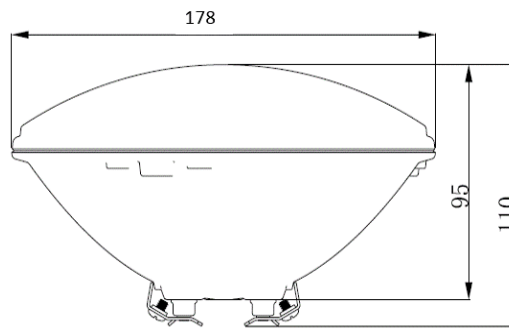
Specification summary

Product code	Product code (Direct Shipment)	Product Description	Nominal/ Rated Power (W)	Cap/ Base	Nominal/ Rated Beam Angle (°)	Nominal/ Rated Lumens (lm)	Rated Peak Intensity (cd)	Nominal/ Rated Life (L70/B50 hours)	CCT (K)	CRI
93061072	93084485	LED Specialty PAR56 16W(300) 765 90° BX	16.0	Screw Terminal	90	1500	700	25 000	6500	70

Common attributes

- Colour Rendering Index 70
- Input Voltage: 12V
- Warm up time: Instant on
- Power factor: 0.9

Dimensions (mm)



Recommended operation temperature

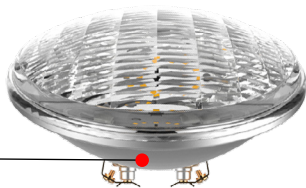
Ambient temperature range -20°C to 40°C.

PAR56 Desired outputs

Ths Max for L70 60°C

Ths Max for B50 60°C

Thermal test point



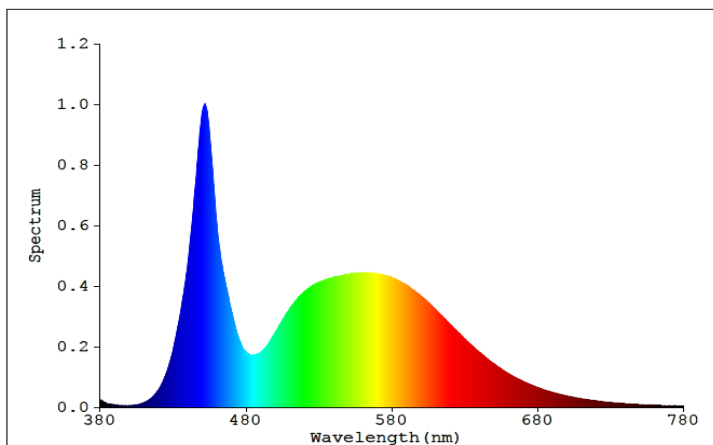
Packaging image



Operation and maintenance

- Store and use the lamps the same way as traditional halogen or incandescent lamps.
- Lamp and lamp holder should be kept free from contamination.
- Do not use if the bulb is broken.
- Ensure lamp is cool before removing.
- This LED PAR56 replacement is a non-dimmable lamp
- Not for accent lighting
- Lamp to be used into a luminaire.

Spectral distributions



All values 180-400nm are 0

www.gelighting.com

 and General Electric are both registered trademarks of the General Electric Company

GE Lighting is constantly developing and improving its products. For this reason, all product descriptions in this brochure are intended as a general guide, and we may change specifications time to time in the interest of product development, without prior notification or public announcement. All descriptions in this publication present only general particulars of the goods to which they refer and shall not form part of any contract. Data in this guide has been obtained in controlled experimental conditions. However, GE Lighting cannot accept any liability arising from the reliance on such data to the extent permitted by law.

LED PAR56 Data Sheet - March 2019