

# LED PAR38 Outdoor

140W equivalent

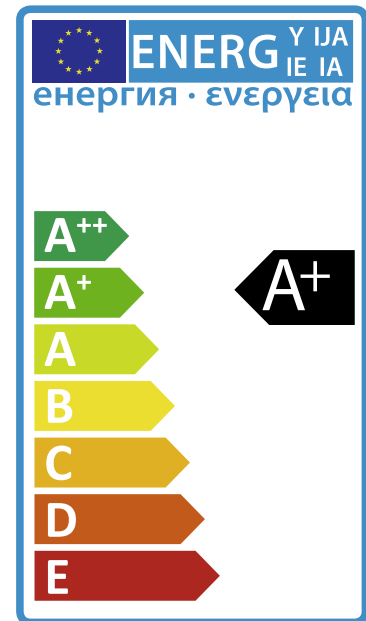


## Product information

GE's LED PAR range combines a high intensity spotlight beam with substantial energy savings. The 140W equivalent PAR38 design with 2300 candela and with 25k lifetime offers significant reduction to maintenance cost by sharply reducing replacement frequency.

## Features & Benefits

- A+ Energy Class
- 1300 total lumens
- 25,000 Life hours at L70
- Available in and 3000K
- PAR38 lamps are suitable for wet location use (IP65)
- Warranty: 2 years with maximum 8000 burning hours according to GE Lighting Standard Warranty conditions



## Application areas



Home



Hospitality



Retail

## Compliance

- EN 55015 Limits and methods of measurement of radio disturbance characteristics of electrical lighting
- EN 61547 Equipment for general lighting purposed EMC immunity requirements
- EN 61000-3-2 Limits for harmonic current emissions (equipment rated current  $\leq 16A$ )
- EN 61000-3-3 Limitation of voltage fluctuations and flicker in low voltage supply systems (equipment rated current  $\leq 16A$ )
- EN 62560 Self-ballasted lamps for general lighting services by voltage  $> 50V$  - safety specification
- EN 62493 Assessment of lighting equipment related to human exposure to electromagnetic fields

## Specification summary

Product code	Product Description	Nominal/ Rated Power (W)	Cap/ Base	Nominal/ Rated Beam Angle (°)	Nominal/ Rated Lumens (lm)	Rated Peak Intensity (cd)	Nominal/ Rated Life (L70/B50 hours)	CCT (K)	CRI	Pack qty
93044739	LED Esmart PAR38 15W(140) 830 E27 40	15.0	E27	40	1300	2300	25 000	3000	70	1/6

## Common attributes

- Colour Rendering Index: >81
- Input Voltage: 90-240V
- Warm up time: Instant on
- Switching Cycles: 40,000
- Power factor: >0.9
- Lumen maintenance: 0.7

## Recommended operation temperature

Ambient temperature range -20°C to 40°C.

PAR38 Desired outputs

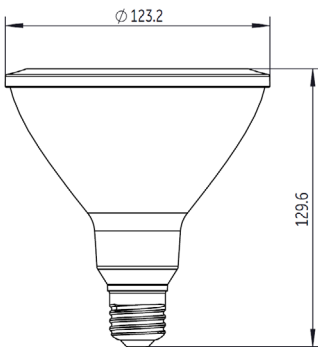
Ths Max for L70 74°C

Ths Max for B50 74°C

Thermal test point



## Dimensions (mm)



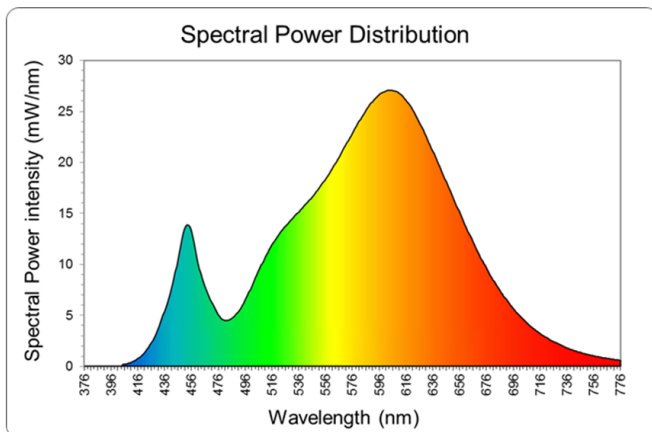
## Packaging image



## Operation and maintenance

- Store and use the lamps the same way as traditional halogen or incandescent lamps.
- Lamp and lamp holder should be kept free from contamination.
- Do not use if the bulb is broken.
- Ensure lamp is cool before removing.
- This LED PAR38 replacement is non-dimmable lamp

## Spectral distributions



All values 180-400nm are 0