



LED HID 80W

Product information

GE's LED HID lamp offers safe, reliable and affordable energy saving alternative to HID lamps used in outdoor and industrial applications. This 80W LED HID lamp can offer retrofit replacement for high watt E40 HID lamp installations, such as up to 150W High Pressure Sodium (HPS), 100W and 150W Ceramic Metal Halide (CMH), 175W and 250W Quartz Metal Halide (QMH) and 250W and 400W Mercury lamps.

This replacement can be completed simply without costly upgrade. The robust lamp design with E40 base ensures retrofitting and easy handle during installation. The upgraded fixture will deliver up to 80% energy saving and reduced operating cost driven by the increased life.

Specification Features

Long life

- 50,000 hours rated life (L70)
- Lasts 2-4x longer than typical HID lamps
- Active cooling inside the lamp to ensure long life for this high power LED lamp

High efficiency

- Outstanding energy efficiency up to 150 lm/w
- A++ energy efficiency rating
- Uses 80% less energy than 400W HID Mercury or ~70% less energy compared to 250W QMH lamps

High Quality lighting effect

- High uniformity of light with optimized light distribution
- Available with a CRI of 70
- High color consistency of <6 steps

Environmentally Conscious

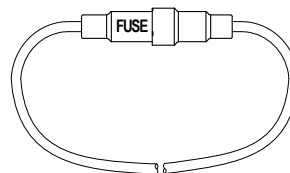
- Energy efficient lamp that contains no lead or Mercury

Features

- 80W LED HID lamp delivers up to 80% energy saving
- High light output of 12 000 lumens
- Available in 4000 and 5000K
- IP20 rating
- Can be operated only on 220-240V Mains Voltage without HID ballast

Accessories (included in the pack)

- Fuse kit
- Tether kit (safety wire kit)
- Please read Installation Guide how to apply the above accessories



Application areas



Street and Pedestrian



Commercial areas
City beautification
Architectural



Industrial

IEC standards

CE Safety related standards:

IEC 62560:2012/A1:2015	Self-ballasted LED-lamps for general lighting services by voltage > 50 V – Safety specifications: With modification, refer to PPP 18044A:2017
IEC 62471:2008	Photobiological safety of lamps and lamp systems
IEC/TR 62778:2014	Photobiological safety of lamps and lamp systems – Part 2: Guidance on manufacturing requirements relating to non-laser optical radiation safety
IEC 60598-1:2015	Luminaires - Part 1: General requirements and tests – Clause 12.4 and 12.5
IEC 60061-1:2014	Lamp Caps and holders together with gauges for the control of interchangeability and safety
EN 62493:2015	Assessment of lighting equipment related to human exposure to electromagnetic field

EMC related standard:

EN 55015:2013	Limits and methods of measurement of radio disturbance characteristics of electrical lighting
EN 61547:2009	Specification for equipment for general lighting purposes. EMC Immunity requirements
EN 61000-3-2:2014	Limits for harmonic current emissions (equipment rated current <=16A)
EN 61000-3-3 :2013	Limitation of voltage fluctuations and flicker in low voltage supply systems (equipment rated current <=16A)

Specification summary

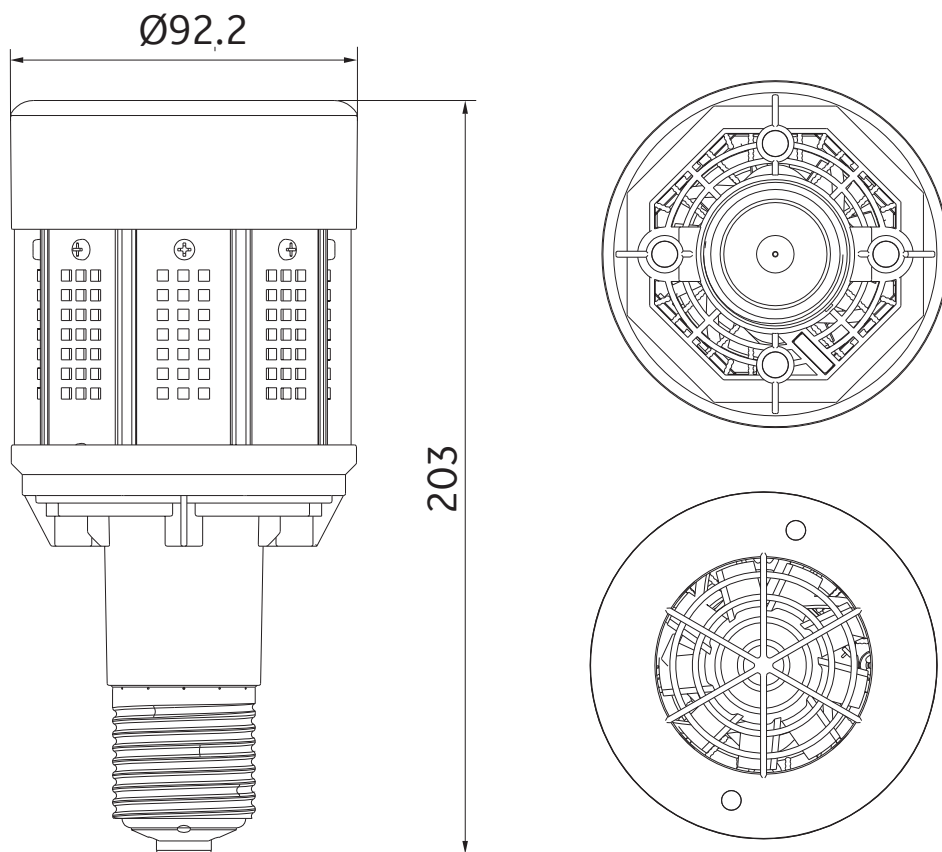
Rated Wattage (W)	Base	CCT (K)	Product Description	Rated Lumens (lm)	Life L70 (hrs)	CRI (Ra)	Energy Efficiency Class	Burn Position	Pack Qty (pcs)	Product Code
80	E40	4000	LED 80W/HID/740/E40 GE	12000	50 000	70	A++	universal	1	93067075
80	E40	5000	LED 80W/HID/750/E40 GE	12000	50 000	70	A++	universal	1	93067246

Electrical and Photometric Characteristics

Ambient temperature range	-30°C to +50°C
Number of switching cycles	>25,000
Lumen maintenance at B50	70%
Color consistency	<6 steps
Dimmable	No
Fixture rating	Indoor: open fixture with dry conditions Outdoor: enclosed fixture only
Starting time	<0.5sec
Weight	730g
Lamp Voltage	220~240V
Lamp Power Factor	>0.9
Cooling	Active cooling with fan inside the lamp
Surge Voltage protection	6KV lamp only*

* Lamp's surge performance in fixture may vary with different fixture according to their design and condition.

Dimensions (mm)



Operation and maintenance

Store and use the lamps the same way as standard HID lamps.

- Lamps should be kept free from contamination.
- Switch off mains supply before installing/removing lamp.
- Good condition of the lamp-holder contacts is important to ensure proper operation of lamp.
- Use in Indoor open fixture with dry condition, Outdoor enclosed fixture only.
- Not for use in emergency lighting circuits.
- Re-wiring of fixture to bypass HID ballast, ignitor, capacitor is needed for this lamp