

LED PAR30 - High CRI - Dimmable

Replacement for 75W



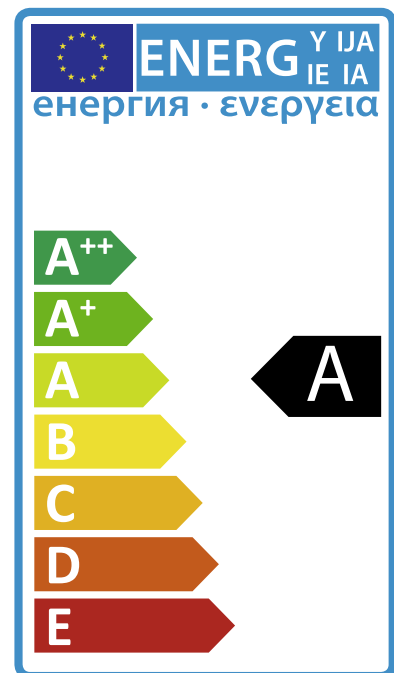
DATA SHEET

Product information

Tungsräm's new LED PAR30 - High CRI - Dimmable range combines a high intensity spotlight beam with substantial energy savings with only 11W. Superior Colour Consistency within 4 steps on Macadam ellipse, 90Ra Colour Rendering Index for excellent light quality with a new COB design. Additionally, the 25,000 hours L70 life time offers significant reduction to maintenance costs by sharply reducing replacement frequency.

Features & benefits

- "A" Energy Class
 - Up to 720 lumens
 - 90+ Colour Rendering Index
 - 25,000 Life hours at L70
 - Available in 3000 and 4000K
 - Dimmable
 - Retrofit
 - Warranty: 2 years with maximum 8 000 burning hours according to Tungsräm Standard Warranty conditions
- *Based on 2.7 hours of per day use.



Application areas



Residential



Hospitality



Retail

Compliance

- EN 55015 Limits and methods of measurement of radio disturbance characteristics of electrical lighting
- EN 61547 Equipment for general lighting purposed EMC immunity requirements
- EN 61000-3-2 Limits for harmonic current emissions (equipment rated current $\leq 16A$)
- EN 61000-3-3 Limitation of voltage fluctuations and flicker in low voltage supply systems (equipment rated current $\leq 16A$)
- EN 62560 Self-ballasted lamps for general lighting services by voltage $> 50V$ - safety specification
- EN 62493 Assessment of lighting equipment related to human exposure to electromagnetic fields



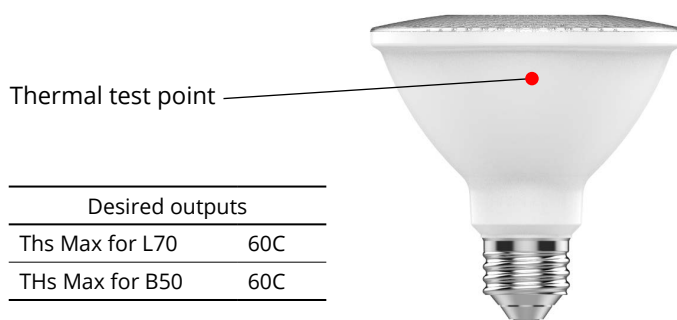
Specification summary

Product Code	Product Description	Base	Nominal / Rated Power (W)	Repl. Wattage (W)	CCT (K)	Nominal / Rated Lumens (lm)	CBCP	Dimm.	Beam Angle (°)	EEC	WEC (kwh/ 1000h)	Pack Qty
93104932	LED Precise PAR30 11W(75)D 930 35°E27 TU	E27	11.0	75	3000	720	1500	Yes	35	A	11.0	1/6
93104933	LED Precise PAR30 11W(75)D 940 35°E27 TU	E27	11.0	75	4000	720	1500	Yes	35	A	11.0	1/6

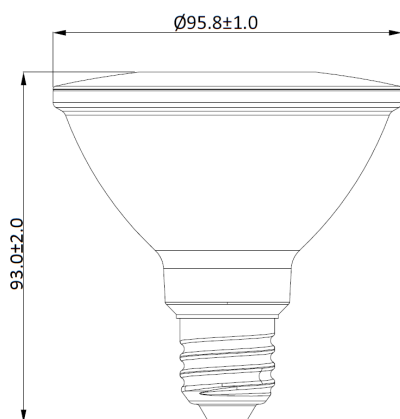
Common attributes

- Colour Rendering Index >90
- Input Voltage: 220-240V
- Warm up time: Instant on
- Switching Cycles: 13,000
- Power factor: >0.7

Recommended operation temperature



Dimensions (mm)



Packaging image



Operation and maintenance

- Store and use the lamps the same way as traditional lamps.
- Check your fixtures are properly wired and don't deliver voltage spike to lamps causing overheating/failure.
- Ambient temperature range -20° C to 40°C
- Lamps should be kept free from contamination.
- Good condition of the lamp-holder contacts is important to ensure proper operation of lamp.
- Ensure lamp is cool before removing.
- Switch off mains supply before installing/removing lamp.
- Not for use in totally enclosed recessed fixtures.

Tungram LED PAR30 - High CRI - Dimmable lamps are dimmable on most leading and trailing edge dimmers, for more information please check our website www.tungram.com/dimming-led.