

# Downlight Start Gen2



DATA SHEET



## Product information

Tungstar introduces the range of Start Downlight Gen2. There are a selection of sizes and colour temperature options to meet customer requirements. The discrete pattern fits in every indoor environment while lightweight design allows quick and easy installation for new construction. The best choice for brightening up your property through the benefit of long lifetime.

## Features

- Operating temperature 0°C to +25°C
- Available in static versions
- Cut out Ø80/ Ø 100 mm
- UV-free & IR-free
- Simple recessed mounting of preinstalled luminaire and driver (ceiling min 5mm, max 20mm)
- 25 000 hours lifetime (L70)
- Nominal Voltage: 220-240V
- Operating frequency: 50Hz
- Beam angle: 110°
- Luminaire storage: -40°C to +60°C
- IK06 rating

## Benefits

- Ultra-weight max 0.10 kg
- Colour temperatures: 4000 and 6500K
- Colour rendering index: CRI 80+
- IP20 ingress protection
- Available in more lumen versions up to 900 lm
- Simple recessed mounting in the ceiling

## Application areas



General lighting /  
Residential

## Structures and materials

Polycarbonate white color case, white color head

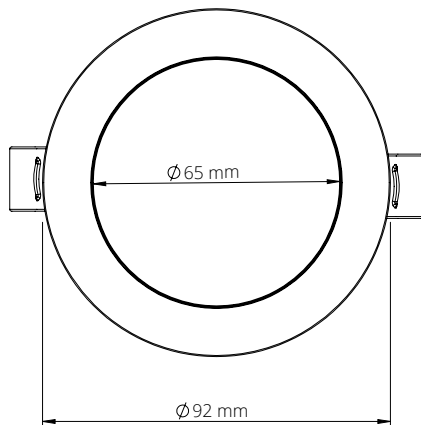
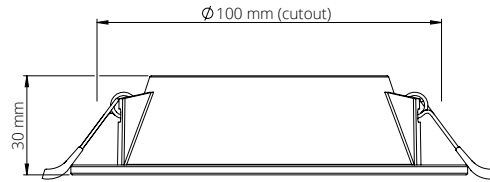
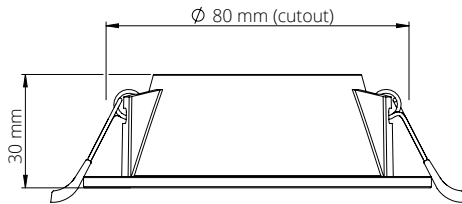
## Specification summary

TU Product Code	TU Product Code (DS)	Product Description	Current (mA)	Driver	CCT (K)	Wattage (W)	Lumen (lm)	Efficacy (lm/W)	Energy Class	PF
93110642	93110634	LED Downlight Start TU G2 3" 4W 840	35	Static	4000	4	320	80	A+	> 0.4
93110627	93110635	LED Downlight Start TU G2 3" 4W 865	35	Static	6500	4	320	80	A+	> 0.4
93110628	93110636	LED Downlight Start TU G2 3" 6W 840	50	Static	4000	6	450	75	A+	> 0.5
93110629	93110637	LED Downlight Start TU G2 3" 6W 865	50	Static	6500	6	450	75	A+	> 0.5
93110630	93110638	LED Downlight Start TU G2 4" 8W 840	65	Static	4000	8	640	80	A+	> 0.5
93110631	93110639	LED Downlight Start TU G2 4" 8W 865	65	Static	6500	8	640	80	A+	> 0.5
93110632	93110640	LED Downlight Start TU G2 4" 12W 840	100	Static	4000	12	900	75	A	> 0.5
93110633	93110641	LED Downlight Start TU G2 4" 12W 865	100	Static	6500	12	900	75	A	> 0.5

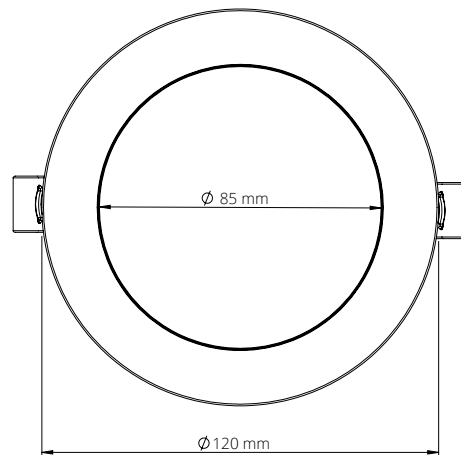
## Common attributes

- CRI: 80
- IP rating: 20
- Nominal voltage: 220-240V

## Dimensions



3inch



4inch

## Regulatory and standards

**Regulatory mark:** CE

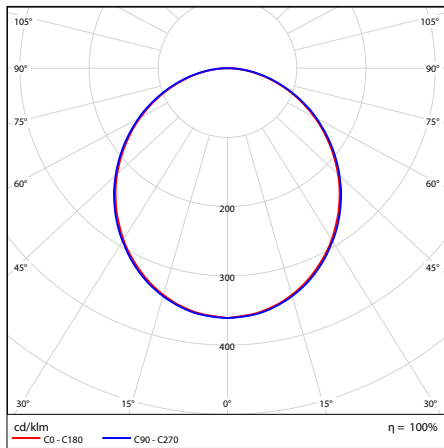
**Regulations:** 2014/35/EU, 2014/30/EU, 2011/65/EU, (framework 2009/125/EC) EU/1194/2012 amended by EU 2015/1428, (framework 2010/30/EC) 874/2012 and 518/2014\*, 2012/19/EU\*

**Harmonised standards:** EN 60598, EN 62493, EN 61547, EN55015, EN 61000, refer to CE Declaration of Conformity and Technical File for details

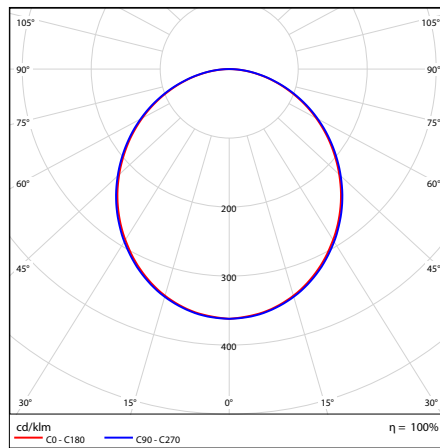
Photobiological risk assessment group 0. The product is considered safe, does not pose any photobiological hazard

\*not on DOC

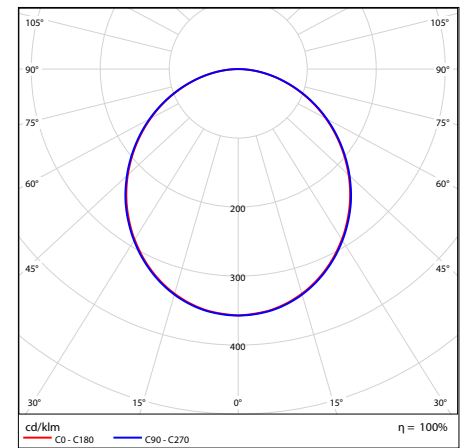
## Photometric data



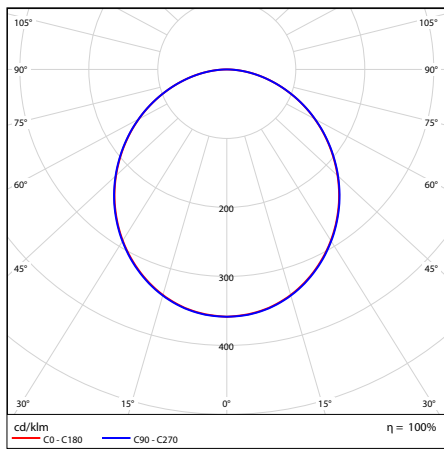
4W



6W



8W



12W

Photometry is based on LM79

## Order logic

Internal Code	Brand	Generation	Size	Wattage	CRI/CCT	Shipment
LED Downlight Start	TU	G2 - Generation 2	3" 4"	4W	840 865	DS - Direct shipment
				6W		
				8W		
				12W		

### Example: LED Downlight Start TU G2 3" 4W 840 -

LED Downlight Start Generation 2, 3 inch size, 4 Watt, 4000K, 80CRI