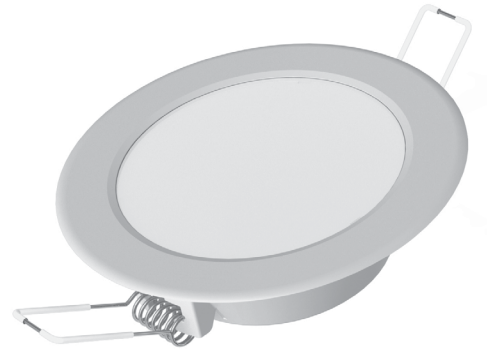


Downlight Start Gen1

3/6/8 inch



DATA SHEET



Product information

Tungshram introduces the range of Start Downlight Gen1. There are a selection of sizes and colour temperature options to meet customer requirements. The discrete pattern fits in every indoor environment while lightweight design allows quick and easy installation for new construction. The best choice for brightening up your property through the benefit of long lifetime.

Features

- Samsung LED Chip
- Operating temperature 0°C – 25°C
- Available in static versions
- UV-free & IR-free
- Simple recessed mounting of preinstalled luminaire and driver (ceiling min 5mm, max 20mm)
- Nominal Voltage: 220-240V
- Operating frequency: 50/60Hz
- Beam angle: 110°
- Luminaire storage: -40°C to 60°C

Benefits

- Ultra-weight up to 0.265 kg
- Nominal Lumen 300-1700 lm
- Up to 20 000 hours lifetime (L70)
- Colour rendering index: CRI 80+
- Colour temperatures: 3000/4000 and 6500K
- IP20 ingress protection

Structures and materials

Polycarbonate white color case, white color head

Application areas



General lighting /
Residential

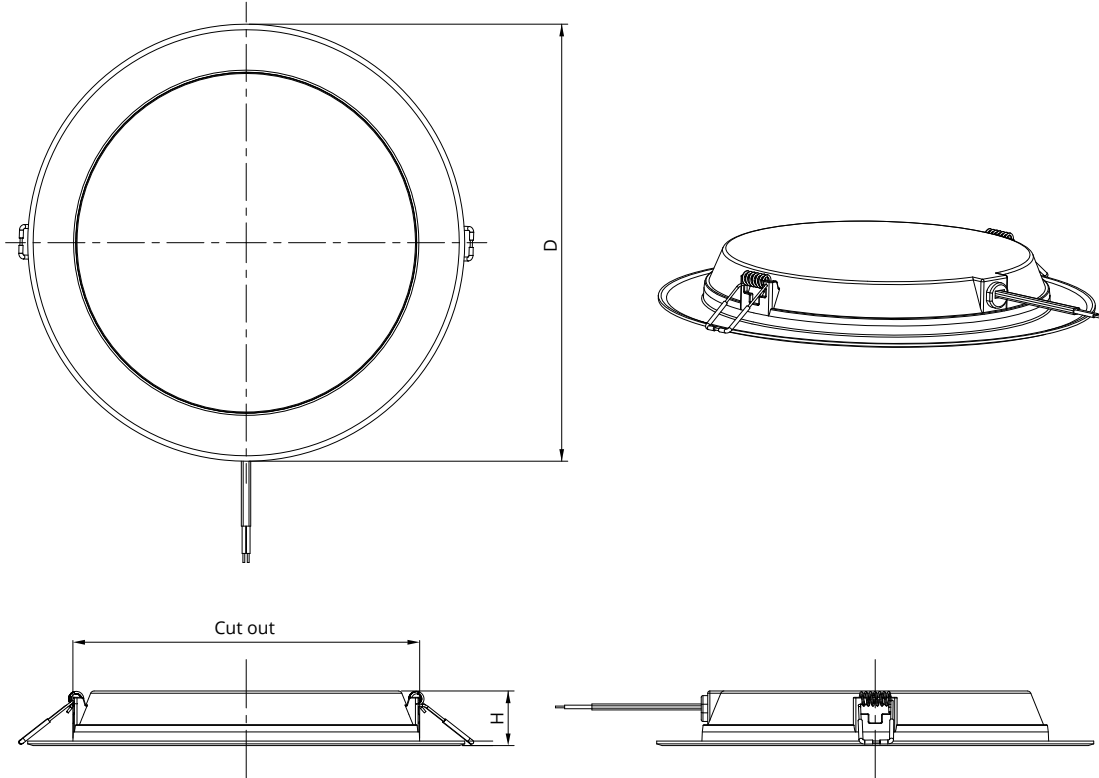
Specification summary

TU Product Code	GE Product Code	Product Description	Current in (mA)	Driver	CCT (K)	Wattage (W)	Lumen (lm)	Efficacy (lm/W)	Energy Class	PF	Rated life (L70B50) (hrs)
93092912	93090321	LED Downlight Start TU 3" 5W 830 DS	40	static	3000	5	300	60	A+	> 0.5	10,000
93092913	93090322	LED Downlight Start TU 3" 5W 840 DS	40	static	4000	5	300	60	A+	> 0.5	10,000
93092914	93090323	LED Downlight Start TU 3" 5W 865 DS	40	static	6500	5	300	60	A+	> 0.5	10,000
93092915	93090324	LED Downlight Start TU 3" 7W 830 DS	50	static	3000	7	420	60	A	> 0.5	10,000
93093116	93090325	LED Downlight Start TU 3" 7W 840 DS	50	static	4000	7	420	60	A	> 0.5	10,000
93093117	93090326	LED Downlight Start TU 3" 7W 865 DS	50	static	6500	7	420	60	A	> 0.5	10,000
93114849	93114882	LED Downlight Start TU 6" 12W 830 DS	50	static	3000	12	900	75	A	0.9	20,000
93114850	93114883	LED Downlight Start TU 6" 12W 840 DS	50	static	4000	12	1000	83	A+	0.9	20,000
93114851	93114884	LED Downlight Start TU 6" 12W 862 DS	50	static	6200	12	1000	83	A+	0.9	20,000
93114852	93114885	LED Downlight Start TU 8" 18W 830 DS	50	static	3000	18	1500	83	A+	0.9	20,000
93114853	93114886	LED Downlight Start TU 8" 18W 840 DS	50	static	4000	18	1600	89	A+	0.9	20,000
93114854	93114887	LED Downlight Start TU 8" 18W 862 DS	50	static	6200	18	1600	89	A+	0.9	20,000

Common attributes

- CRI: 80
- IP rating: 20
- Nominal voltage: 220-240V

Dimensions



type	H	D	Cut out
3inch	30mm	105mm	Ø 82mm
6inch	30mm	180mm	Ø 150mm
8inch	30mm	240mm	Ø 200mm

Regulatory and standards

Regulatory mark: CE

Regulations: 2014/35/EU, 2014/30/EU, 2011/65/EU, (framework 2009/125/EC) EU/1194/2012 amended by EU 2015/1428, (framework 2010/30/EC) 874/2012 and 518/2014*, 2012/19/EU*

Harmonised standards: EN 60598, EN 62493, EN 61547, EN55015, EN 61000, refer to CE Declaration of Conformity and Technical File for details

Photobiological risk assessment group 0. The product is considered safe, does not pose any photobiological hazard

*not on DOC

