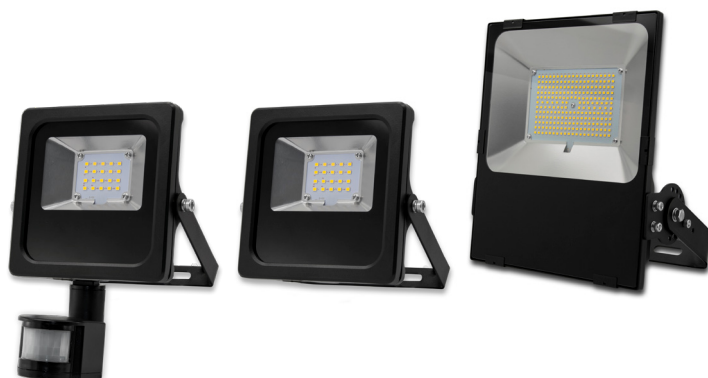


LED Floodlight



DATA SHEET



Product information

LED Floodlight is a universal, compact range of floodlights with six lumen output levels from 2.000 to 20.000lm and up to 130 LPW efficiency. The range is suitable for various applications wall mounted around building facades, ideal for the classic floodlighting of buildings as well as lighting gardens, paths near to buildings, garages, entrance ways and drives. Compared to traditional floodlights Tungstram LED Floodlight supplies immediate light without start-up or cooling down times. Thanks to a robust aluminium housing with safety glass cover, the floodlights are ideal for outdoor use.

Features

- High performance with outstanding efficiency with 6 lumen packages – up to 130 lm/W
- L70/B50 @25°C 30 000 hours lifetime (20-50W) or 50 000 hours lifetime (75-150W)
- 2 colour temperatures: 4000 and 6500K with SDCM≤6
- Wide beam angle: 100° (20-50W) or 120° (75-150W)
- Robust aluminium die-cast luminaire with high protection rating IP65 (20-50W) or IP66 (75-150W) and high impact resistance of IK07 (20-50W) or IK08 (75-150W)
- Suitable for operation in ambient temperature of -20°C to +40°C (20-50W) or -30°C to +50°C (75-150W)
- Static built-in driver
- PF >0,9
- THD < 20%
- Nominal Voltage: 220-240V
- Operating frequency: 50-60Hz
- Insulation Class I
- Breather valve to maintain good ingress protection in case of over pressurization for 75-150W products
- IP65 infrared motion & daylight sensor optional for up to 50W products. Detection range of motion sensor (3M/180° or 12M/110°), detection range of daylight sensor (0-1000lux) and switching time can be modified.

Benefits

- Replacement for floodlight luminaires with halogen lamps (up to 1500W)
- Energy savings up to 90% (compared to luminaires that use halogen)
- Homogenous light
- High resistance against ambient air with humidity and high particle loads

Application areas



Industrial



Car park,
Garages



Public areas



Building
facades



Construction
areas

Structures and materials

- Body: housing made of die cast aluminium with tempered glass cover
- Colour: black
- Fixtures are pre-wired with 0.3 meter (20-50W) or 1 meter (75-150W) H05RN-F rubber cable
- Easy mounting with bracket included in the package (angle max 160°)

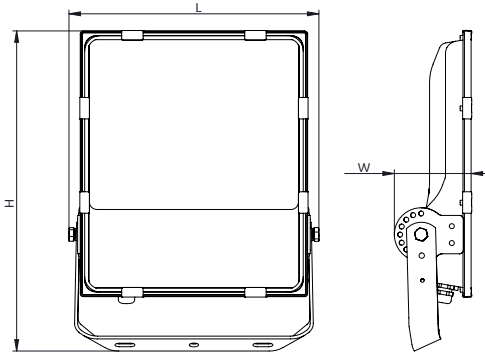
Specification summary

Product Code	Description	Wattage (W)	Lumen (lm)	Efficiency (lm/W)	CCT (K)	CRI	IK rating	IP rating	Current (mA)	Repl. for Halogen	Weight (kg)	DS Product code
Standard version - Symmetric optic												
93101677	LED Flood G1 TU S 20W 840 SY ST BN	20	2 000	100	4000	>80	IK07	IP65	92	160W	0.62	93103709
93107561	LED Flood G1 TU S 20W 865 SY ST BN	20	2 000	100	6500	>80	IK07	IP65	92		0.62	93103715
93101678	LED Flood G1 TU S 30W 840 SY ST BN	30	3 000	100	4000	>80	IK07	IP65	135	250W	0.97	93103710
93107562	LED Flood G1 TU S 30W 865 SY ST BN	30	3 000	100	6500	>80	IK07	IP65	135		0.97	93103716
93101679	LED Flood G1 TU S 50W 840 SY ST BN	50	6 000	120	4000	>80	IK07	IP65	230	400W	1.14	93103711
93107563	LED Flood G1 TU S 50W 865 SY ST BN	50	6 000	120	6500	>80	IK07	IP65	230		1.14	93103717
93101680	LED Flood G1 TU S 75W 840 SY ST BN	75	10 000	133	4000	>80	IK08	IP66	340	750W	3.29	93103712
93107564	LED Flood G1 TU S 75W 865 SY ST BN	75	10 000	133	6500	>80	IK08	IP66	340		3.29	93103718
93101681	LED Flood G1 TU S 115W 840 SY ST BN	115	15 000	130	4000	>80	IK08	IP66	520	1000W	4.20	93103713
93107565	LED Flood G1 TU S 115W 865 SY ST BN	115	15 000	130	6500	>80	IK08	IP66	520		4.20	93103719
93101683	LED Flood G1 TU S 150W 840 SY ST BN	150	20 000	133	4000	>80	IK08	IP66	700	1500W	5.33	93103714
93107566	LED Flood G1 TU S 150W 865 SY ST BN	150	20 000	133	6500	>80	IK08	IP66	700		5.33	93103720
Standard version - Asymmetric optic												
93101682	LED Flood G1 TU S 115W 840 AS ST BN	115	14 500	126	4000	>80	IK08	IP66	520		5.33	-
93101684	LED Flood G1 TU S 150W 840 AS ST BN	150	18 000	120	4000	>80	IK08	IP66	700		5.33	-
Motion sensor version - Symmetric optic												
93107575	LED Flood G1 TU S 20W 840 SY ST BM	20	2 000	100	4000	>80	IK07	IP65	92	160W	0.73	93103748
93107577	LED Flood G1 TU S 30W 840 SY ST BM	20	2 000	100	6500	>80	IK07	IP65	92		0.73	93103750
93107579	LED Flood G1 TU S 50W 840 SY ST BM	30	3 000	100	4000	>80	IK07	IP65	135	250W	1.08	93103752
93107576	LED Flood G1 TU S 20W 865 SY ST BM	30	3 000	100	6500	>80	IK07	IP65	135		1.08	93103749
93107578	LED Flood G1 TU S 30W 865 SY ST BM	50	6 000	120	4000	>80	IK07	IP65	230	400W	1.25	93103751
93107580	LED Flood G1 TU S 50W 865 SY ST BM	50	6 000	120	6500	>80	IK07	IP65	230		1.25	93103753
Adjustable Accessories*												
93090320	IP68 connector for Floodlight/DL01-3A											

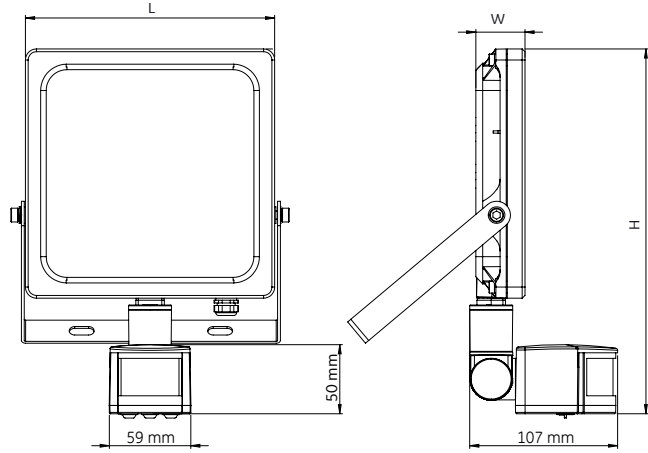
* accessories to be ordered separately

Dimensions (mm)

Standard version



Motions sensor version

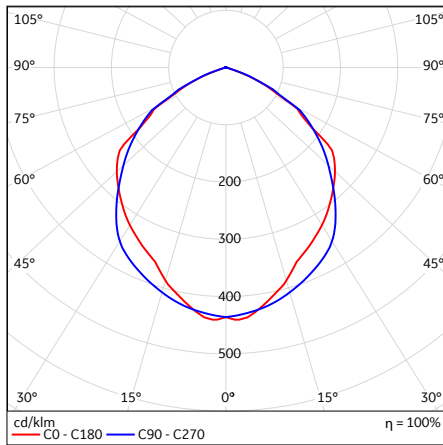


Type	L (mm)	W (mm)	H (mm)
LED Flood G1 TU S 20W...BN	163±1	35	163±1
LED Flood G1 TU S 30W...BN	203±1	35	202±1
LED Flood G1 TU S 50W...BN	223±1	35	216±1
LED Flood G1 TU S 75W...BN	286±1	91	368±1
LED Flood G1 TU S 115W...BN	337±1	91	419±1
LED Flood G1 TU S 150W...BN	373±1	91	450±1

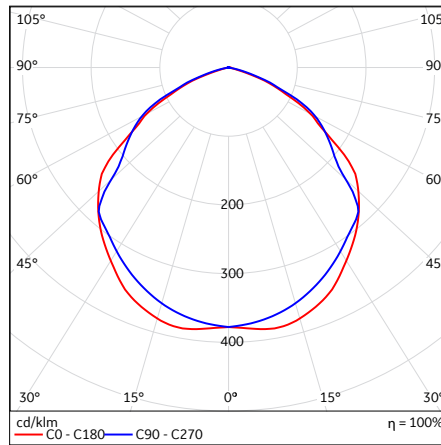
Type	L (mm)	W (mm)	H (mm)
LED Flood G1 TU S 20W...BM	224±1	35	163±1
LED Flood G1 TU S 30W...BM	264±1	35	202±1
LED Flood G1 TU S 50W...BM	284±1	35	216±1

Photometric data

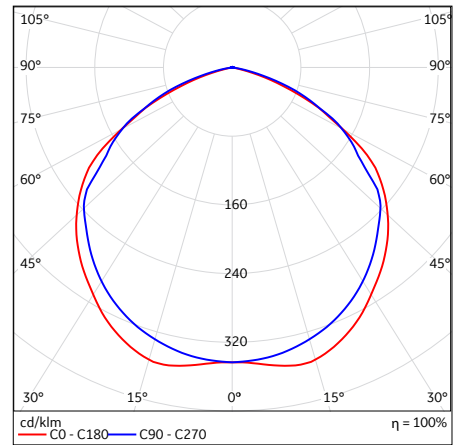
symmetric optic



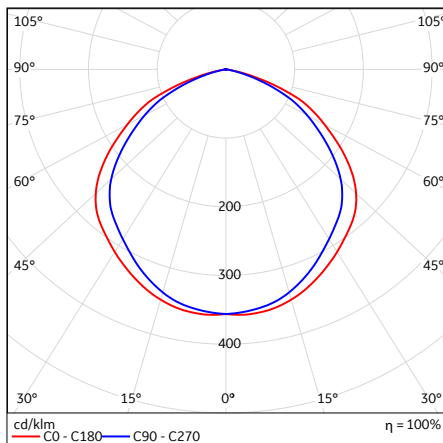
20W - 4000K



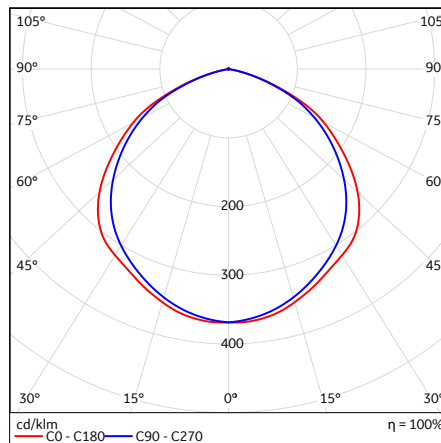
30W - 4000K



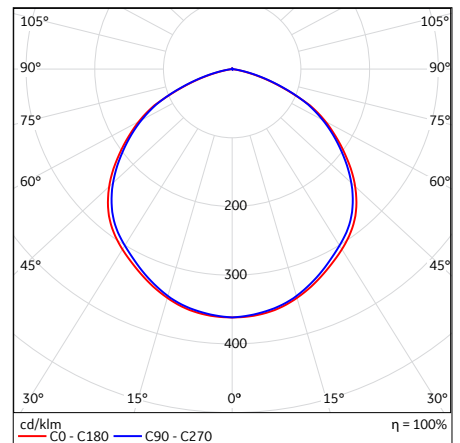
50W - 4000K



75W - 4000K

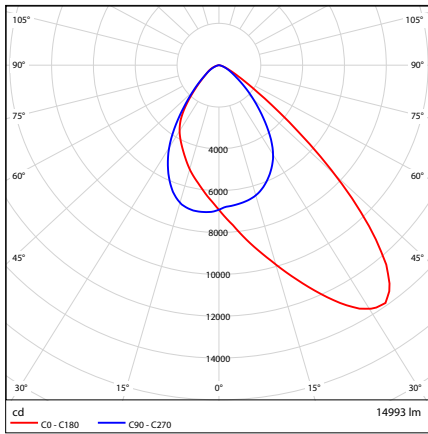


115W - 4000K

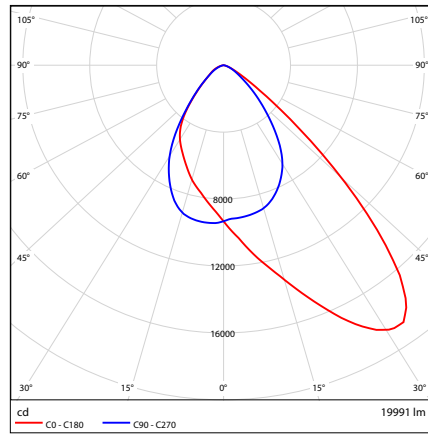


150W - 4000K

asymmetric optic



G1 - 115W - 4000K



G1 - 150W - 4000K

Regulatory and standards

Regulatory mark: CE

Regulations: 2014/35/EU, 2014/30/EU, 2011/65/EU, (framework 2009/125/EC) EU/1194/2012 amended by EU 2015/1428, (framework 2010/30/EC) 874/2012 and 518/2014*, 2012/19/EU*

Harmonised standards: EN 60598, EN 62493, EN 61547, EN55015, EN 61000, refer to CE Declaration of Conformity and Technical File for details

*not on DOC

Order logic

Internal Code	Gen.	Brand	Control	System	CRI	CCT	Reflector	Voltage	Housing color	Special	Shipment
LED Flood	G1 - Generation 1	TU - Tungsrsm	S - Static	20W 30W 50W 75W 115W 150W	8 - 80	30 - 3000K 40 - 4000K 65 - 6500K	SY - Symmetrical AS - Assymetrical	ST - 220- 240V	B- Black	N- Standard version M- Sensor version	DS - Direct shipment

Example: LED Flood G1 TU S 50W 840 SY ST BN

Gen1 50W 4000K Floodlight, Static, 220-240V built-in driver, standard version with black housing and symmetrical optic