

LED Diffuser Downlight



Product information

Tungsräm introduces the new standard range of LED Diffuser Downlighters. There are a selection of sizes and colour temperature options to meet customer requirements. With this new range, lighting can be upgraded in key segments such as offices, commercial buildings, retail back of house areas and hospitality.

Benefits

- Direct replacement for compact fluorescent lamp downlights
- Over 55%+ energy saving compared to luminaires that use CFL PL lamps
- Affordable solution for retrofit or new installations
- Reduced replacement and maintenance costs
- Easy installation with fast connection
- Healthy – UV-free & IR-free

Features

- High efficiency: up to 100lm/w
- 45 000 hours lifetime (L70)
- Nominal Voltage: 220-240V
- Operating frequency: 50-60Hz
- 3 colour temperatures: 3000, 4000 and 6500K
- Colour rendering index: CRI 80+
- Beam angle: 100 +/-15°
- Operation temperature: -10°C to 40°C
- Luminaire storage: -40°C to 60°C

Fixture structure

- Integrated polycarbonate reflector and white aluminum housing for good heat dissipation
- 1 to 2.5 mm² hard wire for easy connection
- Wire spring leaf for secure installation
- Tested for glow wire at 850°C
- 210 mm (outer diameter) white ring accessory is available, suitable for 150mm-190mm cut-out size, for all 6" types

Application areas



Retail

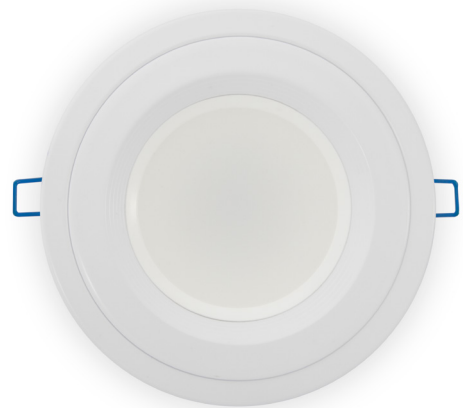


Hospitality



Office

- Stairways
- Corridors
- General illumination



Specification summary

Product Code	Product Code (DS)	Product Description	Wattage (W)	Lumen (lm)	Efficacy (lm/W)	Nominal Current (mA)	Power Factor	THD	CCT (K)	Rated life (h) (L70)	IP rating	EEC	Repl. for CFL Plug-in	Dimm.
93108076	TBD	LED DLR Diff P1 TU6 IP20 11W 830 SST	11	1100	100	60	0.9	<30%	3000	45000	IP20	A+		No
93107533	93103663	LED DLR Diff P1 TU6 IP20 11W 840 SST	11	1100	100	60	0.9	<30%	4000	45000	IP20	A+	1*18W	No
	TBD	93103664 LED DLR Diff P1 TU6 IP20 11W 865 SST	11	1100	100	60	0.9	<30%	6500	45000	IP20	A+		No
93108077	TBD	LED DLR Diff P1 TU6 IP20 15W 830 SST	15	1500	100	75	0.9	<30%	3000	45000	IP20	A+		No
93107534	93103665	LED DLR Diff P1 TU6 IP20 15W 840 SST	15	1500	100	75	0.9	<30%	4000	45000	IP20	A+		No
	TBD	93103666 LED DLR Diff P1 TU6 IP20 15W 865 SST	15	1500	100	75	0.9	<30%	6500	45000	IP20	A+	2*13W / 1*26W	No
93108078	TBD	LED DLR Diff P1 TU8 IP20 15W 830 SST	15	1500	100	75	0.9	<30%	3000	45000	IP20	A+		No
93107535	93103667	LED DLR Diff P1 TU8 IP20 15W 840 SST	15	1500	100	75	0.9	<30%	4000	45000	IP20	A+		No
	TBD	93103668 LED DLR Diff P1 TU8 IP20 15W 865 SST	15	1500	100	75	0.9	<30%	6500	45000	IP20	A+		No
93108079	TBD	LED DLR Diff P1 TU8 IP20 22W 830 SST	22	2200	100	105	0.9	<30%	3000	45000	IP20	A+		No
93107536	93103669	LED DLR Diff P1 TU8 IP20 22W 840 SST	22	2200	100	105	0.9	<30%	4000	45000	IP20	A+	2*26W / 1*32W	No
	TBD	93103670 LED DLR Diff P1 TU8 IP20 22W 865 SST	22	2200	100	105	0.9	<30%	6500	45000	IP20	A+		No
93064214	TBD	DDTW6 D210 accessory ring*												

* accessory to be ordered separately

Regulatory and standards

Regulatory mark: CE

Regulations: 2014/35/EU, 2014/30/EU, 2011/65/EU, (framework 2009/125/EC) EU/1194/2012 amended by EU 2015/1428, (framework 2010/30/EC) 874/2012 and 518/2014*, 2012/19/EU*

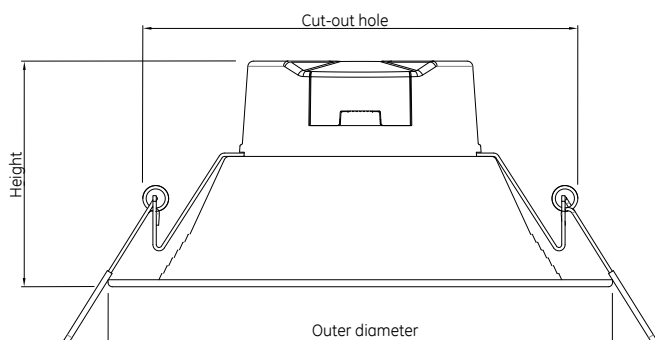
Harmonized standards: EN 60598, EN 62493, EN 61547, EN55015, EN 61000,

look for CE Declaration of Conformity and Technical File for details

Photobiological risk assesment group 0. The product is considered safe, does not pose any photobiological hazard

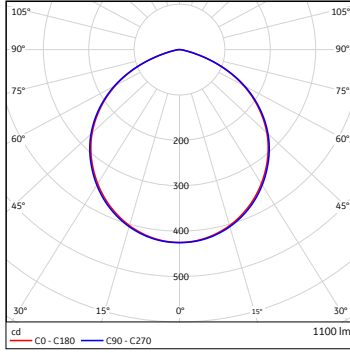
*not on DOC

Dimensions

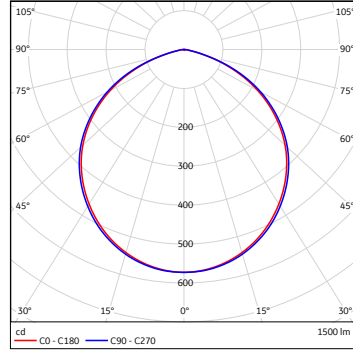


Size	Outer Diameter (mm)	Height (mm)	Cut-out hole (mm)	Weight (g)
6"/148 mm	180+/- 2	81	155-160	320
6" accessory ring	210		150-190	
8" /200 mm	240+/-2	93	200-205	480

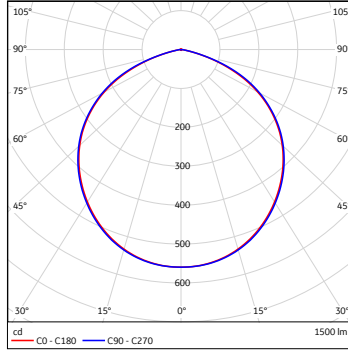
Photometric data



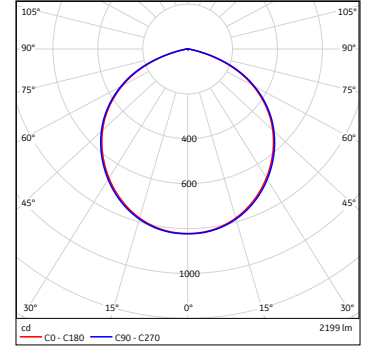
6 inch - 11W



6 inch - 15W



8 inch - 15W



8 inch - 22W

Photometry is based on LM79

Ordering information

Internal Code	Range	Generation	Brand	Size (diameter)	IP rating	System Wattage	CRI	CCT	Controller	Feature	Shipment
LED DLR Diff	P - Premium	1 - Generation 1	TU - TUNGSRAM	6 - 6" inch	IP20	11W	8 - 80 CRI	30 - 3000K	S - Static	ST - Standard	DS - Direct Shipment
				8 - 8" inch		15W		40 - 4000K			
						22W		65 - 6500K			

Example: LED DLR Diff P1 TU6 IP20 11W 830 SST -

IP20 Diffuser Downlight, white 6" diameter, 11W, 3000K, 220-240V with built-in static driver & connector