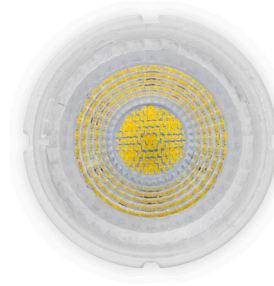


LED Energy Smart™ GU10 Dimmable

5W equivalent for 50W
Halogen products



DATA SHEET

Product information

This exceptional value LED dimmable GU10 range provides a high quality replacement solution for halogen 50W. Available in three colour temperatures with 35 degree beam angle.

Features & Benefits

- 50W equivalent
- Total Lumens: up to 450lm
- 25 000 hours solution (L70/B50)
- Three colour temperatures: 2700K, 3000K, 4000K
- A+ Energy Class
- 35° Beam Angle
- Warranty: 2 years with maximum 8000 burning hours according to Tungfram Operations Kft. Standard Warranty conditions

Application areas



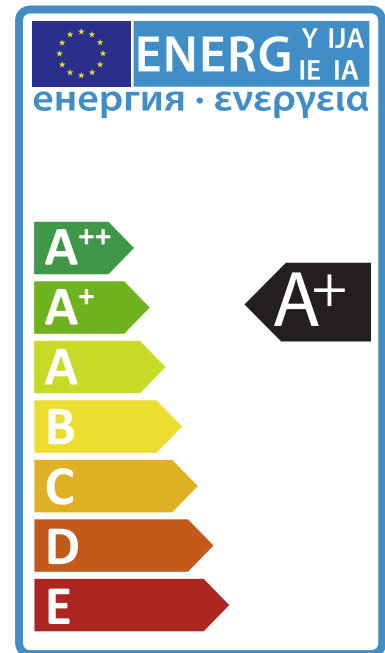
Home



Hospitality



Retail



IEC Standards

| | |
|--------------------|--|
| EN 55015: | Limits and methods of measurement of radio disturbance characteristics of electrical lighting |
| EN 61547: | Equipment for general lighting purposed EMC immunity requirements |
| EN 61000-3-2: | Limits for harmonic current emissions (equipment rated current <=16A) |
| EN 61000-3-3: | Limitation of voltage fluctuations and flicker in low voltage supply systems (equipment rated current <=16A) |
| EN 62560: | Self-ballasted LED lamp for general lighting services voltage 50~250V-safety specification |
| IEC 62471: | Photo biological safety of lamps and lamp systems |
| IEC/TR 62778:2014: | Assessment of blue light hazard to light sources and luminaries |
| EN 62493:2010: | Assessment of lighting equipment related to human exposure to electromagnetic fields |

Specification summary

| Product Code | Direct Shipment Product Code | Product Description | Nom./Rated Power (W) | Repl Watt (W) | Nom./Rated Beam Angle (°) | Nom./Rated Lumens (lm) | Nom./Rated Useful Lumens (lm) | Rated Peak Intensity (cd) | Nom./Rated Life (L70/B50 hours) | CCT (K) | WEC (kwh/1000h) | Pack Qty |
|--------------|------------------------------|--------------------------------------|----------------------|---------------|---------------------------|------------------------|-------------------------------|---------------------------|---------------------------------|---------|-----------------|----------|
| 93095387 | 93095388 | LED ESmart GU10 5W(50)Dim 827 35° | 5,0 | 50 | 35 | 400 | 360 | 680 | 25 000 | 2700 | 5,0 | 1/8 |
| 93104927 | - | LED ESmart GU10 5W(50)Dim 827 35° BL | 5,0 | 50 | 35 | 400 | 360 | 680 | 25 000 | 2700 | 5,0 | 1/8 |
| 93095389 | 93095390 | LED ESmart GU10 5W(50)Dim 830 35° | 5,0 | 50 | 35 | 440 | 380 | 700 | 25 000 | 3000 | 5,0 | 1/8 |
| 93095391 | 93095392 | LED ESmart GU10 5W(50)Dim 840 35° | 5,0 | 50 | 35 | 450 | 400 | 720 | 25 000 | 4000 | 5,0 | 1/8 |

Common attributes

- Nominal/ Rated Life (L70/B50 hours): 25 000 Hrs
- Cap/Base: GU10
- Nominal/Rated Beam Angle : 35°
- Input Voltage 220-240V
- Colour Rendering Index >80
- Start-up/Warm-up time: <1 s
- Switching Cycles: 100 000
- Power factor: 0.75
- Lumen Maintenance Factor: 0.7
- A+ Energy Efficiency
- Dimmable

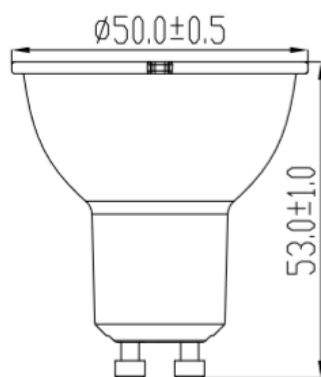
Recommended operation temperature

This max for L70/B50: 80°C

Tsh test point



Dimensions (mm)



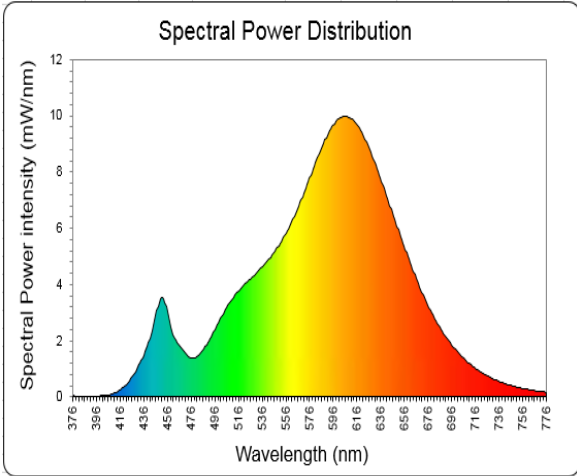
Packaging image



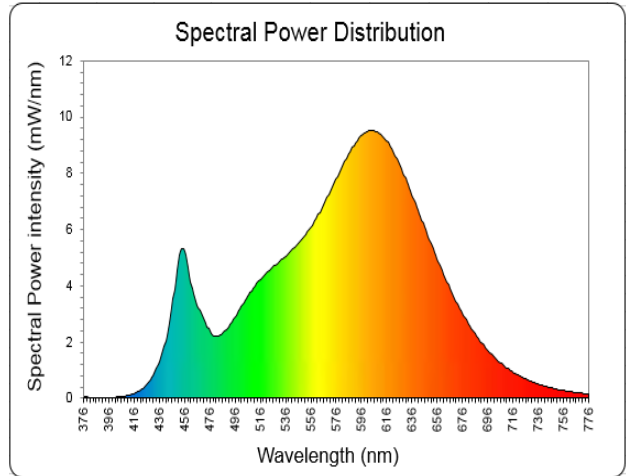
Operation and maintenance

- Store and use the lamps the same way as traditional lamps.
- Check your fixtures are properly wired and don't deliver voltage spike to lamps causing overheating/failure.
- Ambient temperature range -20° C to 40°C
- Lamps should be kept free from contamination.
- Good condition of the lamp-holder contacts is important to ensure proper operation of lamp.
- Ensure lamp is cool before removing.
- Switch off mains supply before installing/removing lamps.
- Not for use in totally enclosed recessed fixtures.
- These Energy Smart™ GU10 Dimmable lamps are dimmable on most leading and trailing edge dimmers, for more information please check our website www.tungsr.com/dimming-led

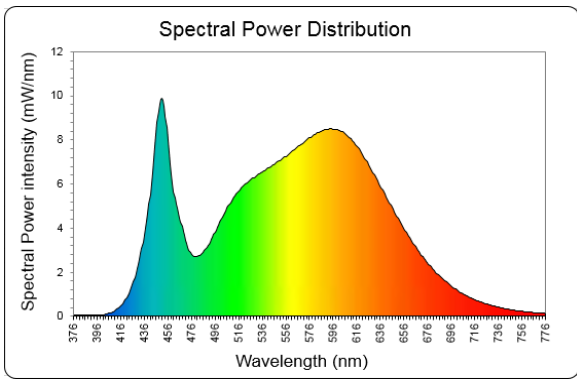
Spectral distributions



2700K



3000K



4000K

All values 180-400nm are 0